

PURLIN BRACING

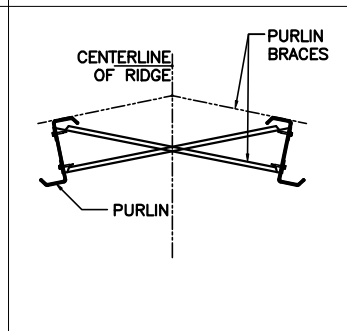
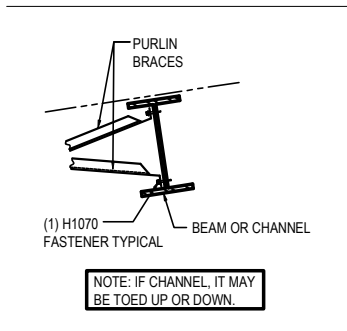
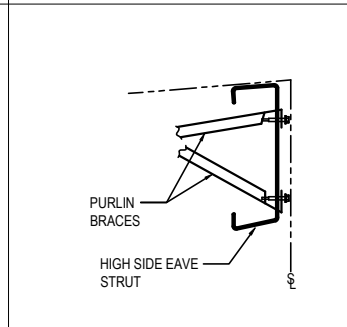
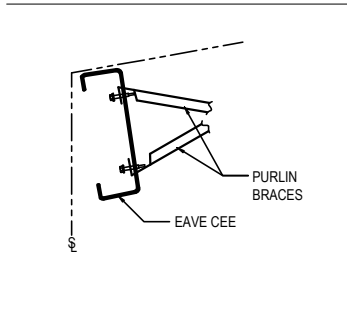
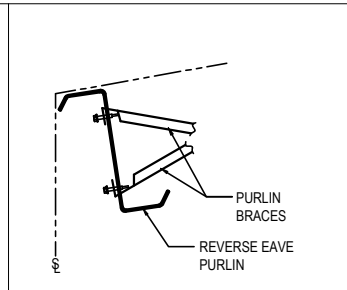
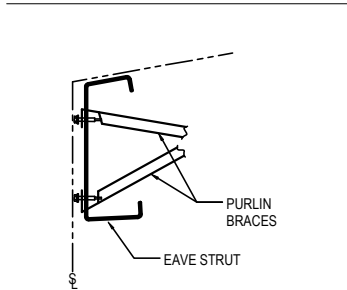
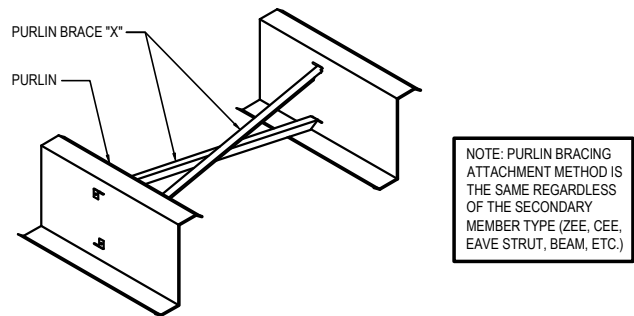
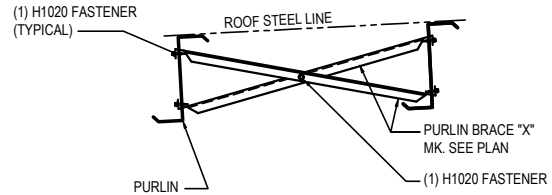
- BE0001 - PURLIN BRACING ATTACHMENT METHODS
 - BE0200 - BRACE ANGLE KEY PLAN THROUGH FASTENED ROOFS
 - BE0210 - BRACE ANGLE INSTALLATION
 - BE0220 - BRACE CHANNEL INSTALLATION AT INTERMEDIATE SPACES
 - BE0230 - BRACE CHANNEL INSTALLATION AT RIDGE SPACE
 - BE1310-- STRONG-BACK @ INTERIOR FRAME (WELDED CLIPS @ REV. PURLIN)
 - BE1310 - SINGLE_CHANNEL_BRACE_ANGLES
 - BE1310 - SINGLE_CHANNEL_BRACE_CEES
 - BE1310 - DOUBLE_CHANNEL_BRACE_ANGLES
 - BE1310 - DOUBLE_CHANNEL_BRACE_CEES
 - BE1310 - BU_CHANNEL_BRACE_ANGLES
 - BE1310 - BU_CHANNEL_BRACE_CEES
 - BE1315 - STRONG-BACK @ INTERIOR FRAME (BOLTED CLIPS @ REV. PURLIN)
 - BE1315 - STRONG-BACK @ INTERIOR FRAME (BOLTED CLIPS @ REV. PURLIN)
 - BE1315 SINGLE_CHANNEL_BRACE_ANGLES
 - BE1315 SINGLE_CHANNEL_BRACE_CEES
 - BE1315 DOUBLE_CHANNEL_BRACE_ANGLES
 - BE1315 DOUBLE_CHANNEL_BRACE_CEES
 - BE1315 BU_CHANNEL_BRACE_ANGLES
 - BE1315 BU_CHANNEL_BRACE_CEES
 - BE1320-- STRONG-BACK @ ENDBAY (WELDED CLIPS @ REV. PURLIN)
 - BE1320 - STRONG-BACK @ ENDBAY (WELDED CLIPS @ REV. PURLIN)
 - BE1320 - SINGLE_CHANNEL_BRACE_ANGLES
 - BE1320 - SINGLE_CHANNEL_BRACE_CEES
 - BE1320 - DOUBLE_CHANNEL_BRACE_ANGLES
 - BE1320 - DOUBLE_CHANNEL_BRACE_CEES
 - BE1320 - BU_CHANNEL_BRACE_ANGLES
 - BE1320 - BU_CHANNEL_BRACE_CEES
 - BE1325-- STRONG-BACK @ ENDBAY (BOLTED CLIPS @ REV. PURLIN)
 - BE1325 - STRONG-BACK @ ENDBAY (BOLTED CLIPS @ REV. PURLIN)
 - BE1325 - SINGLE_CHANNEL_BRACE_ANGLES
 - BE1325 - DOUBLE_CHANNEL_BRACE_CEES
 - BE1325 - DOUBLE_CHANNEL_BRACE_ANGLES
 - BE1325 - DOUBLE_CHANNEL_BRACE_CEES
 - BE1325 - BU_CHANNEL_BRACE_ANGLES
 - BE1325 - BU_CHANNEL_BRACE_CEES
-

BE0001 - PURLIN BRACING ATTACHMENT METHODS

[Download the DWG file by clicking here.](#)

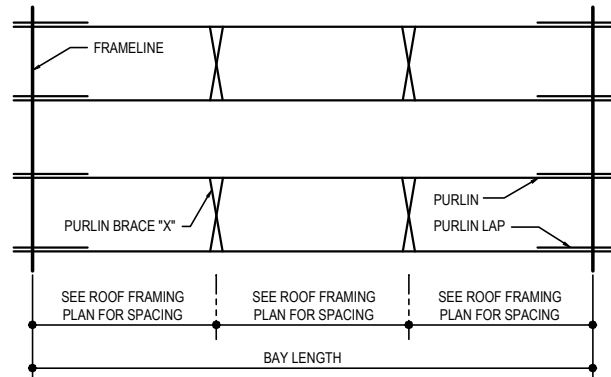
INSTALLATION INSTRUCTIONS

- 1) FOR PURLIN BRACE "X", INSERT ANGLES "BACK-TO-BACK" INTO THE FACTORY PUNCHED SLOTS. BEND TABS AS SHOWN AND FASTEN THROUGH TAB WITH (1) H1020 FASTENER PER END.
- 2) CONNECT PURLIN BRACE "X" AT THE ANGLE INTERSECTION WITH (1) H1020 FASTENER.
- 3) PURLIN BRACING IS NOT TO DISTORT OR ALTER PURLINS FROM THEIR INTENDED SHAPE OR LOCATION.
- 4) SEE DETAILS BELOW FOR ADDITIONAL INFORMATION WHEN ATTACHING TO ALTERNATE FRAMING MEMBERS.



PLAN VIEW OF PURLIN BRACING LOCATIONS PER BAY

- 1) SEE ROOF FRAMING PLAN(S) FOR PURLIN BRACE MARK NUMBERS, QUANTITIES AND LOCATIONS.
- 2) (2) ROWS OF PURLIN BRACING IS SHOWN BELOW FOR REFERENCE ONLY. ACTUAL NUMBER OF ROWS MAY VARY PER BAY AND PER PROJECT, SEE ROOF FRAMING PLAN(S) FOR SPACING.



PURLIN BRACING ATTACHMENT METHODS

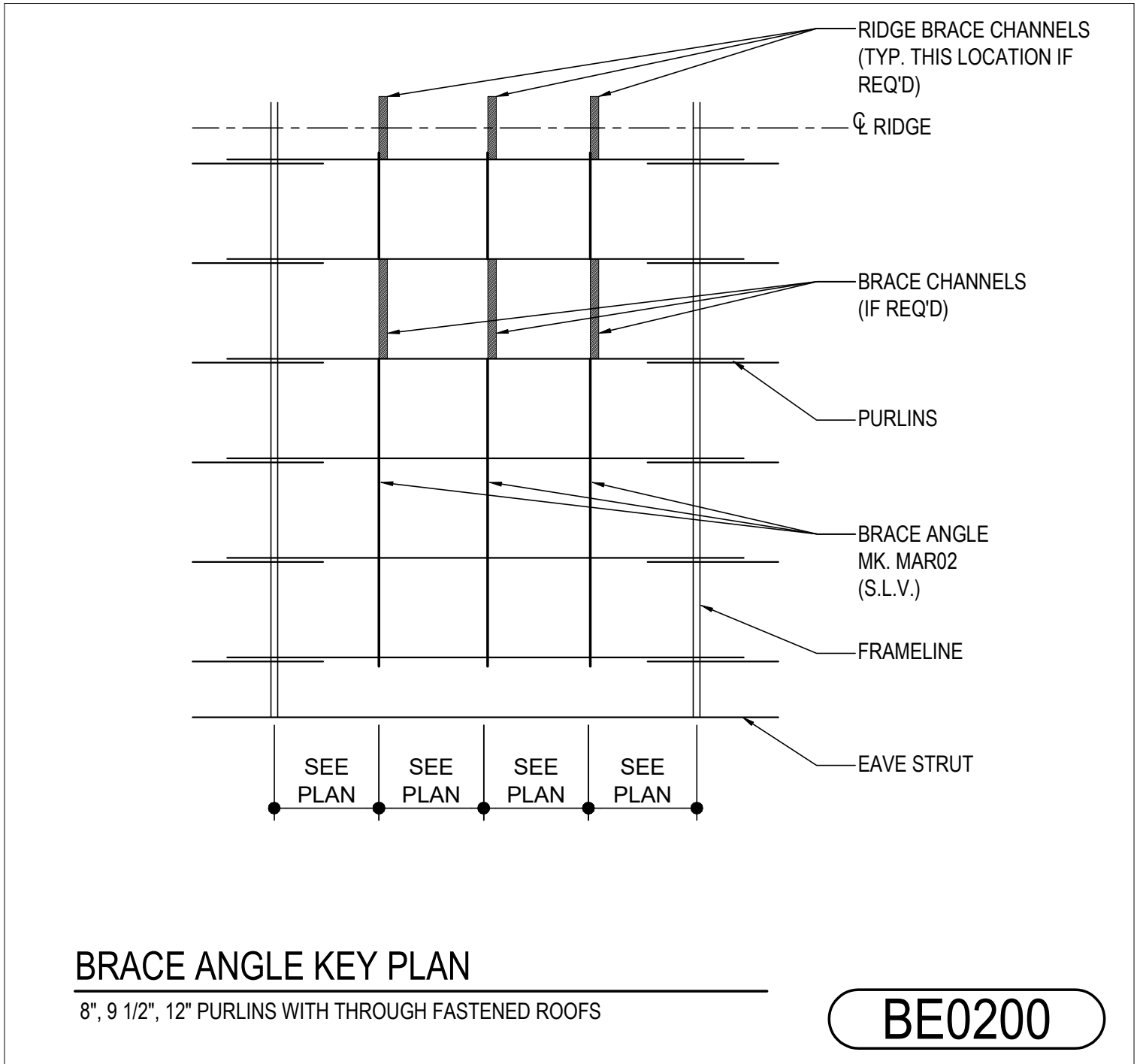
BE0001

Detailer Notes:

- 1) N/A

BE0200 - BRACE ANGLE KEY PLAN-THROUGH FASTENED ROOFS

[Download the DWG file by clicking here.](#)

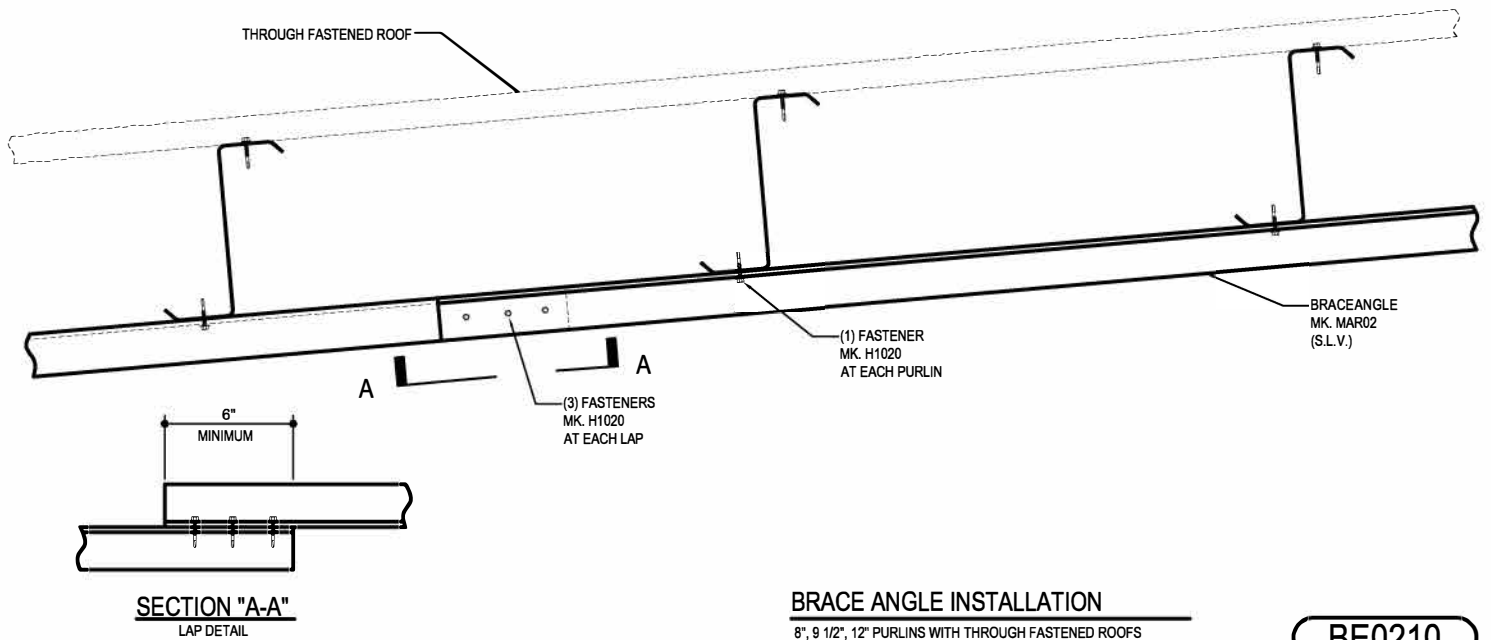


Detailer Notes:

1) N/A

BE0210 - BRACE ANGLE INSTALLATION

[Download the DWG file by clicking here.](#)

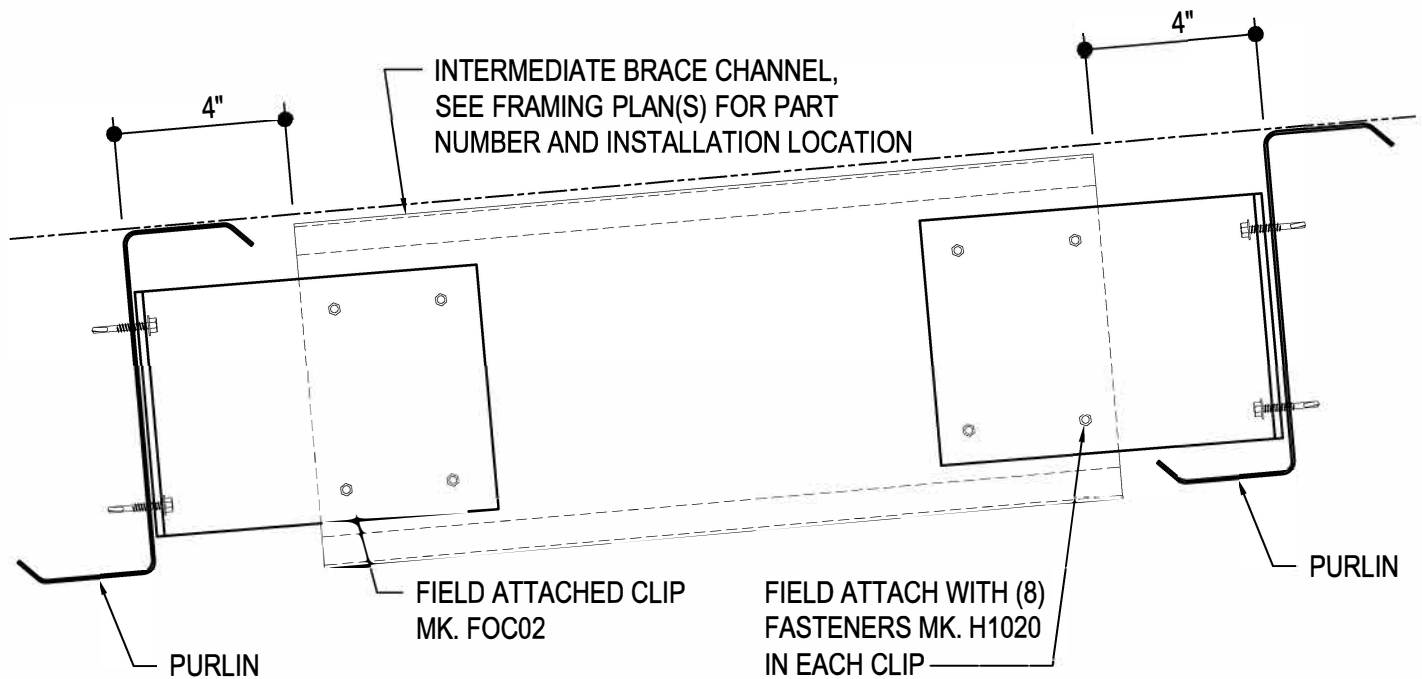


Detailer Notes:

- 1) N/A

BE0220 - BRACE CHANNEL INSTALLATION AT INTERMEDIATE SPACES

[Download the DWG file by clicking here.](#)



BRACE CHANNEL INSTALLATION

AT INTERMEDIATE SPACES AT THROUGH FASTENED ROOFS

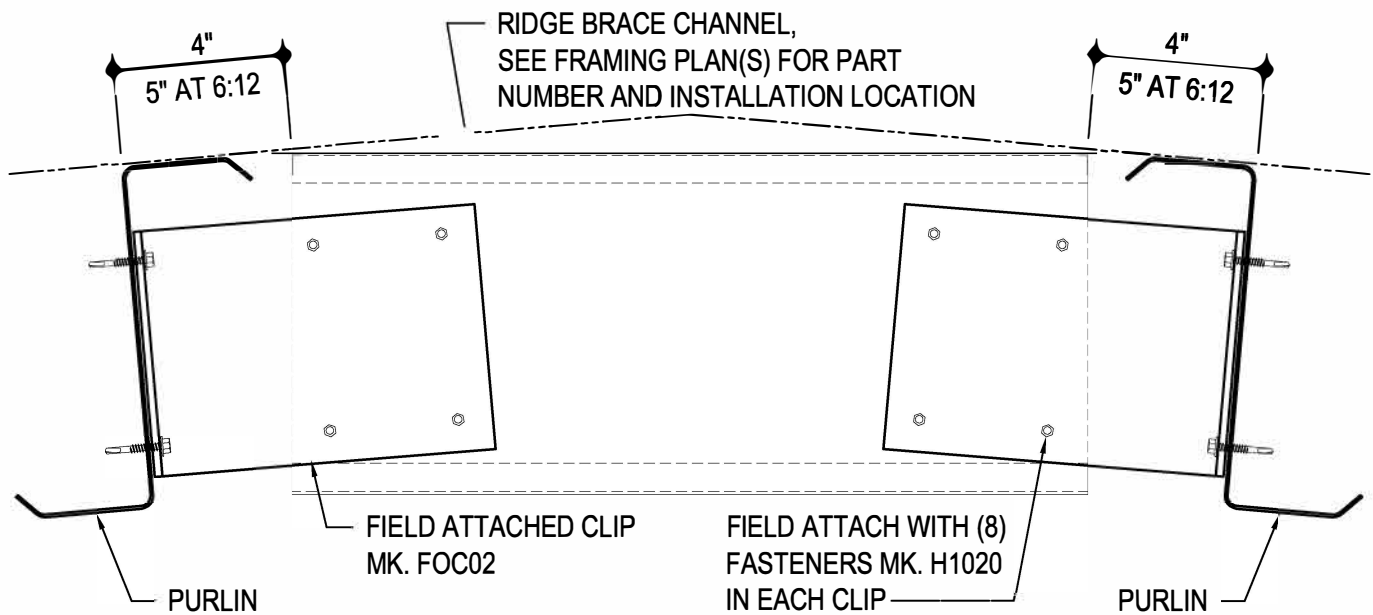
BE0220

Detailer Notes:

- 1) N/A

BE0230 - BRACE CHANNEL INSTALLATION AT RIDGE SPACE

[Download the DWG file by clicking here.](#)



BRACE CHANNEL INSTALLATION

AT RIDGE SPACE AT THROUGH FASTENED ROOFS

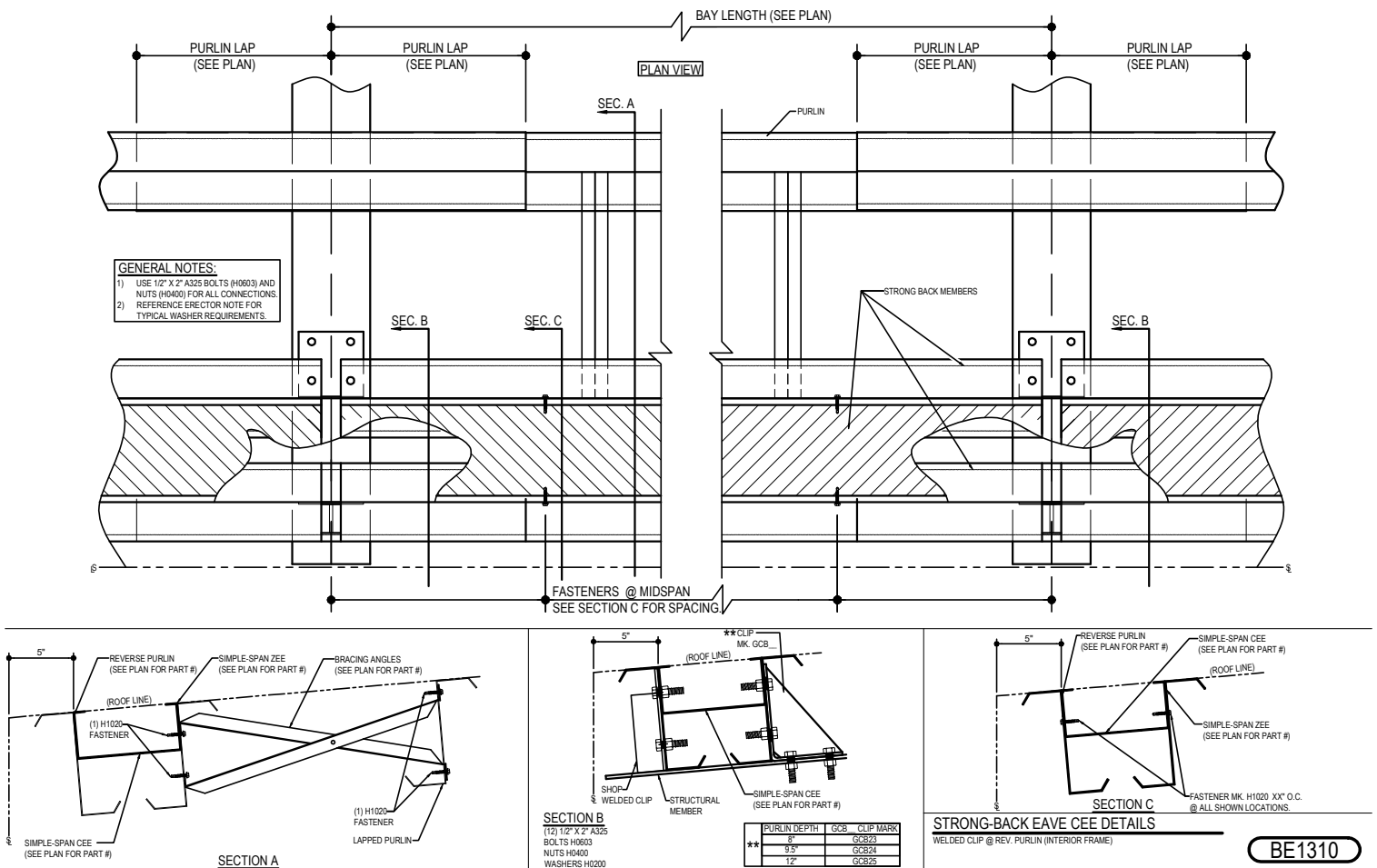
BE0230

Detailer Notes:

1) N/A

BE1310 - STRONG-BACK @ INTERIOR FRAME (WELDED CLIPS @ REV. PURLIN)

[Download the DWG file by clicking here.](#)

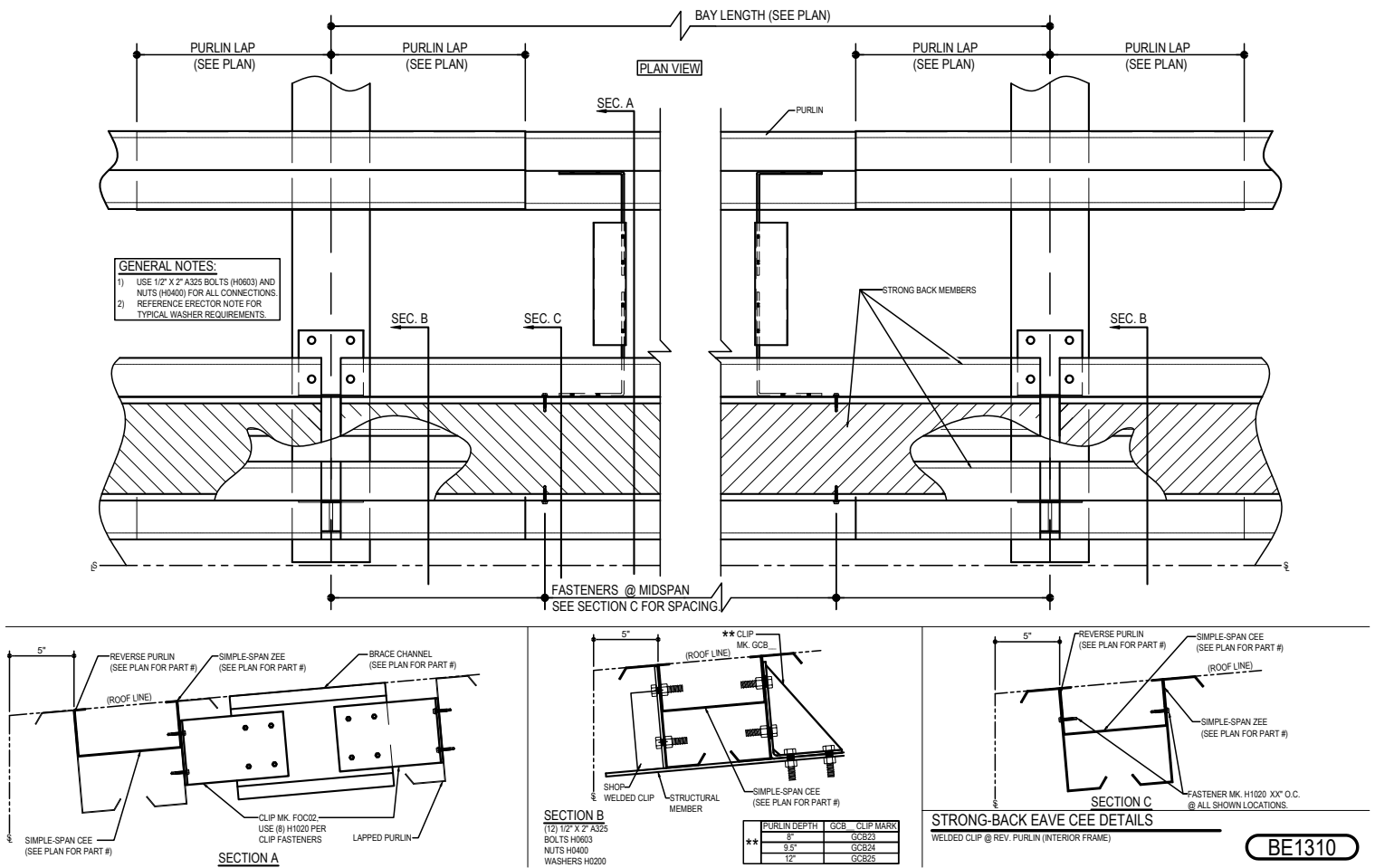


Detailer Notes:

- 1) DETAILER TO REVIEW ENGINEERING D2D SHEET. ENTER FASTENER SPACING & SELECT CORRECT CONDITION USING AVAILABLE LAYERS.
- 2) DETAIL IS DEVELOPED FOR LOW EAVE. STRONG BACK CAN BE USED @ THE INTERIOR AS WELL. MODIFY CONDITIONS AS NEEDED, IF DESIGN INDICATES A NEED FOR INTERIOR STRONGBACK.
- 3) SHOP WELDED PURLIN CLIP: 8" = PCU01 (STF: WS_04) 9.5" = GCB63 (STF: WS_04) 12" = GCB12 (STF: WS_12)

BE1310 - STRONG-BACK @ INTERIOR FRAME (WELDED CLIPS @ REV. PURLIN)

[Download the DWG file by clicking here.](#)

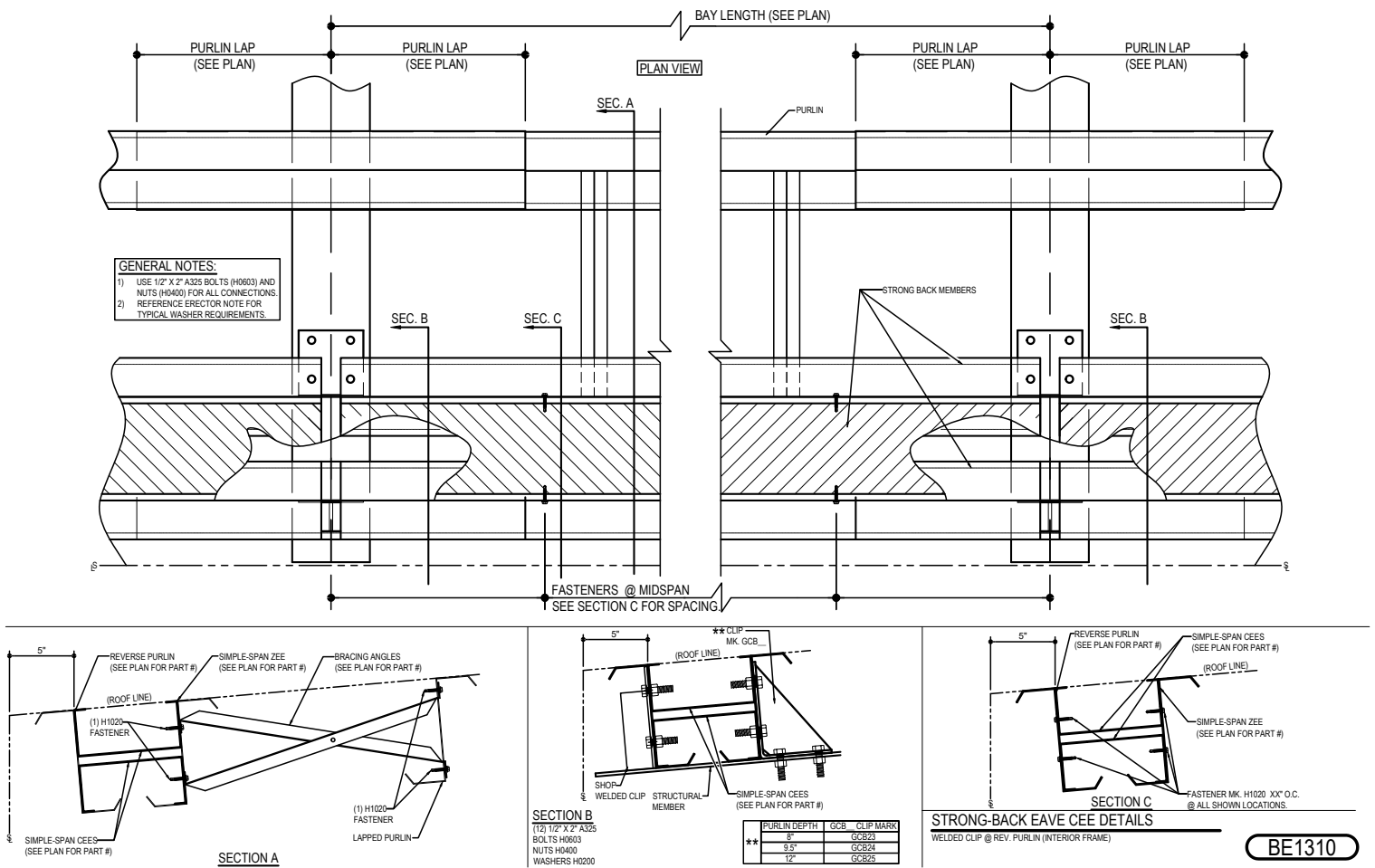


Detailer Notes:

- 1) DETAILER TO REVIEW ENGINEERING D2D SHEET. ENTER FASTENER SPACING & SELECT CORRECT CONDITION USING AVAILABLE LAYERS.
- 2) DETAIL IS DEVELOPED FOR LOW EAVE. STRONG BACK CAN BE USED @ THE INTERIOR AS WELL. MODIFY CONDITIONS AS NEEDED, IF DESIGN INDICATES A NEED FOR INTERIOR STRONGBACK.
- 3) SHOP WELDED PURLIN CLIP: 8" = PCU01 (STF: WS_04) 9.5" = GCB63 (STF: WS_04) 12" = GCB12 (STF: WS_12)

BE1310 - STRONG-BACK @ INTERIOR FRAME (WELDED CLIPS @ REV. PURLIN)

[Download the DWG file by clicking here.](#)

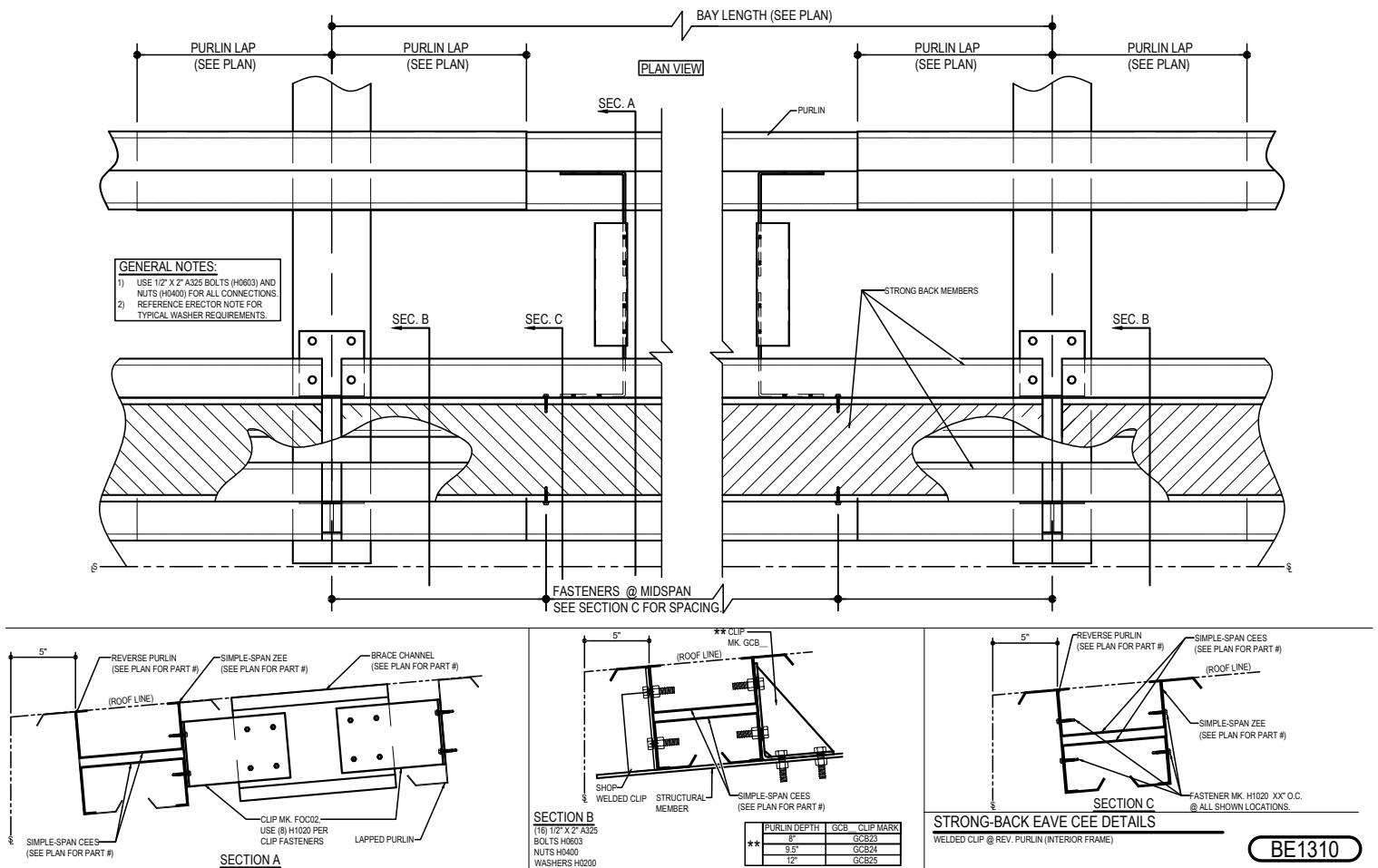


Detailer Notes:

- 1) DETAILER TO REVIEW ENGINEERING D2D SHEET. ENTER FASTENER SPACING & SELECT CORRECT CONDITION USING AVAILABLE LAYERS.
- 2) DETAIL IS DEVELOPED FOR LOW EAVE. STRONG BACK CAN BE USED @ THE INTERIOR AS WELL. MODIFY CONDITIONS AS NEEDED, IF DESIGN INDICATES A NEED FOR INTERIOR STRONGBACK.
- 3) SHOP WELDED PURLIN CLIP: 8" = PCU01 (STF: WS_04) 9.5" = GCB63 (STF: WS_04) 12" = GCB12 (STF: WS_12)

BE1310 - STRONG-BACK @ INTERIOR FRAME (WELDED CLIPS @ REV. PURLIN)

[Download the DWG file by clicking here.](#)

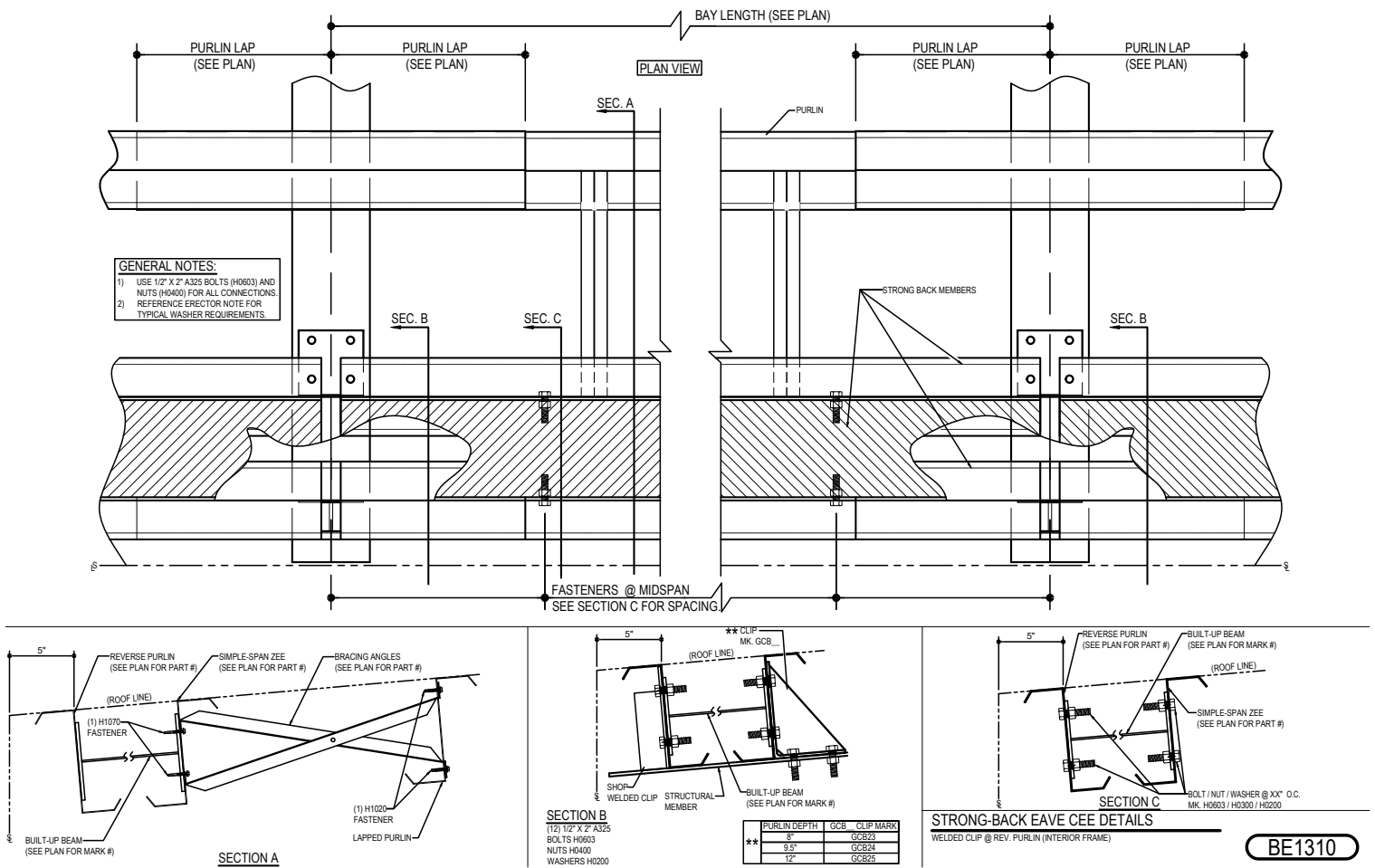


Detailer Notes:

- 1) DETAILER TO REVIEW ENGINEERING D2D SHEET. ENTER FASTENER SPACING & SELECT CORRECT CONDITION USING AVAILABLE LAYERS.
- 2) DETAIL IS DEVELOPED FOR LOW EAVE. STRONG BACK CAN BE USED @ THE INTERIOR AS WELL. MODIFY CONDITIONS AS NEEDED, IF DESIGN INDICATES A NEED FOR INTERIOR STRONGBACK.
- 3) SHOP WELDED PURLIN CLIP: 8" = PCU01 (STF: WS_04) 9.5" = GCB63 (STF: WS_04) 12" = GCB12 (STF: WS_12)

BE1310 - STRONG-BACK @ INTERIOR FRAME (WELDED CLIPS @ REV. PURLIN)

[Download the DWG file by clicking here.](#)

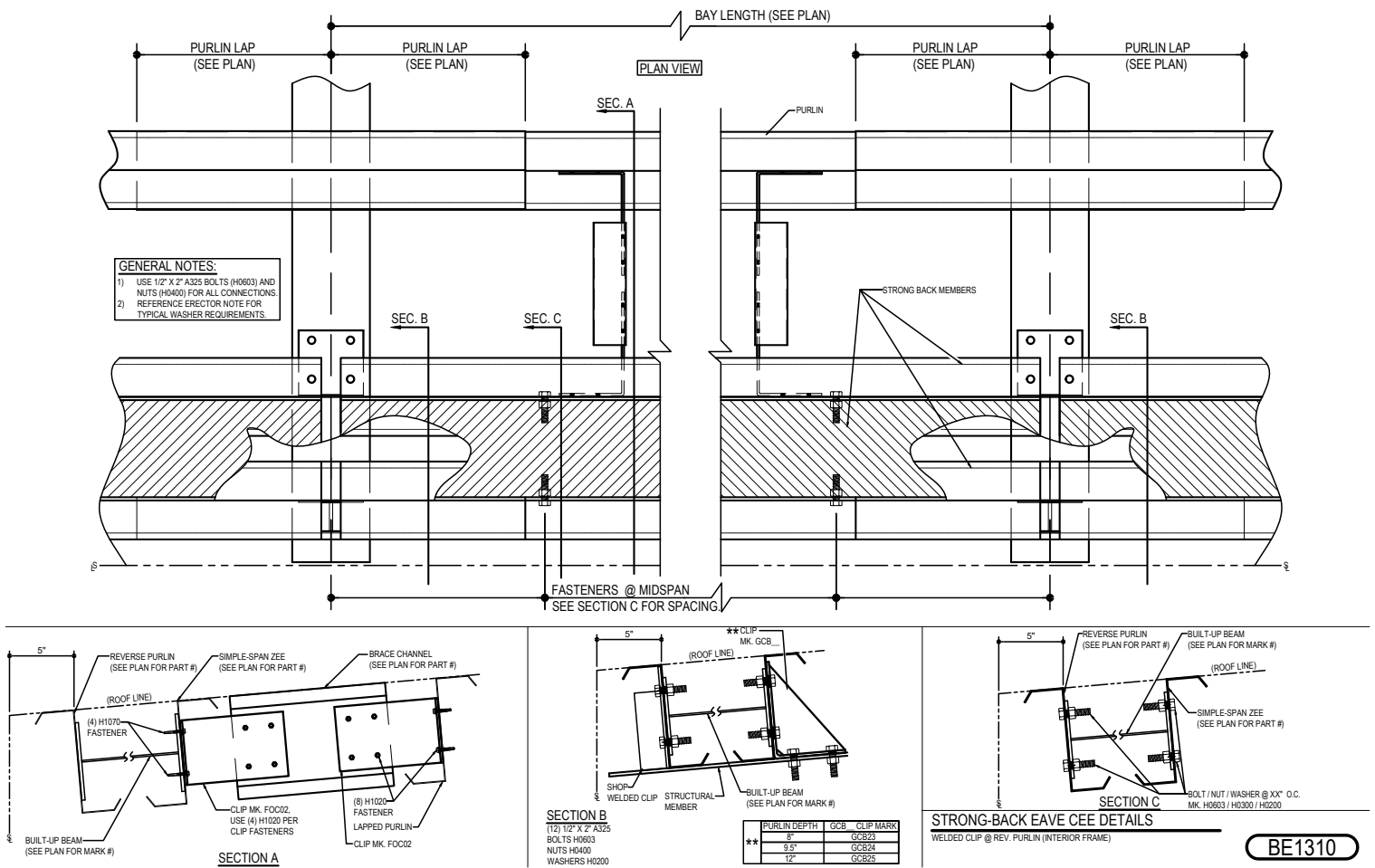


Detailer Notes:

- 1) DETAILER TO REVIEW ENGINEERING D2D SHEET. ENTER FASTENER SPACING & SELECT CORRECT CONDITION USING AVAILABLE LAYERS.
- 2) DETAIL IS DEVELOPED FOR LOW EAVE. STRONG BACK CAN BE USED @ THE INTERIOR AS WELL. MODIFY CONDITIONS AS NEEDED, IF DESIGN INDICATES A NEED FOR INTERIOR STRONGBACK.
- 3) SHOP WELDED PURLIN CLIP: 8" = PCU01 (STF: WS_04) 9.5" = GCB63 (STF: WS_04) 12" = GCB12 (STF: WS_12)

BE1310 - STRONG-BACK @ INTERIOR FRAME (WELDED CLIPS @ REV. PURLIN)

[Download the DWG file by clicking here.](#)

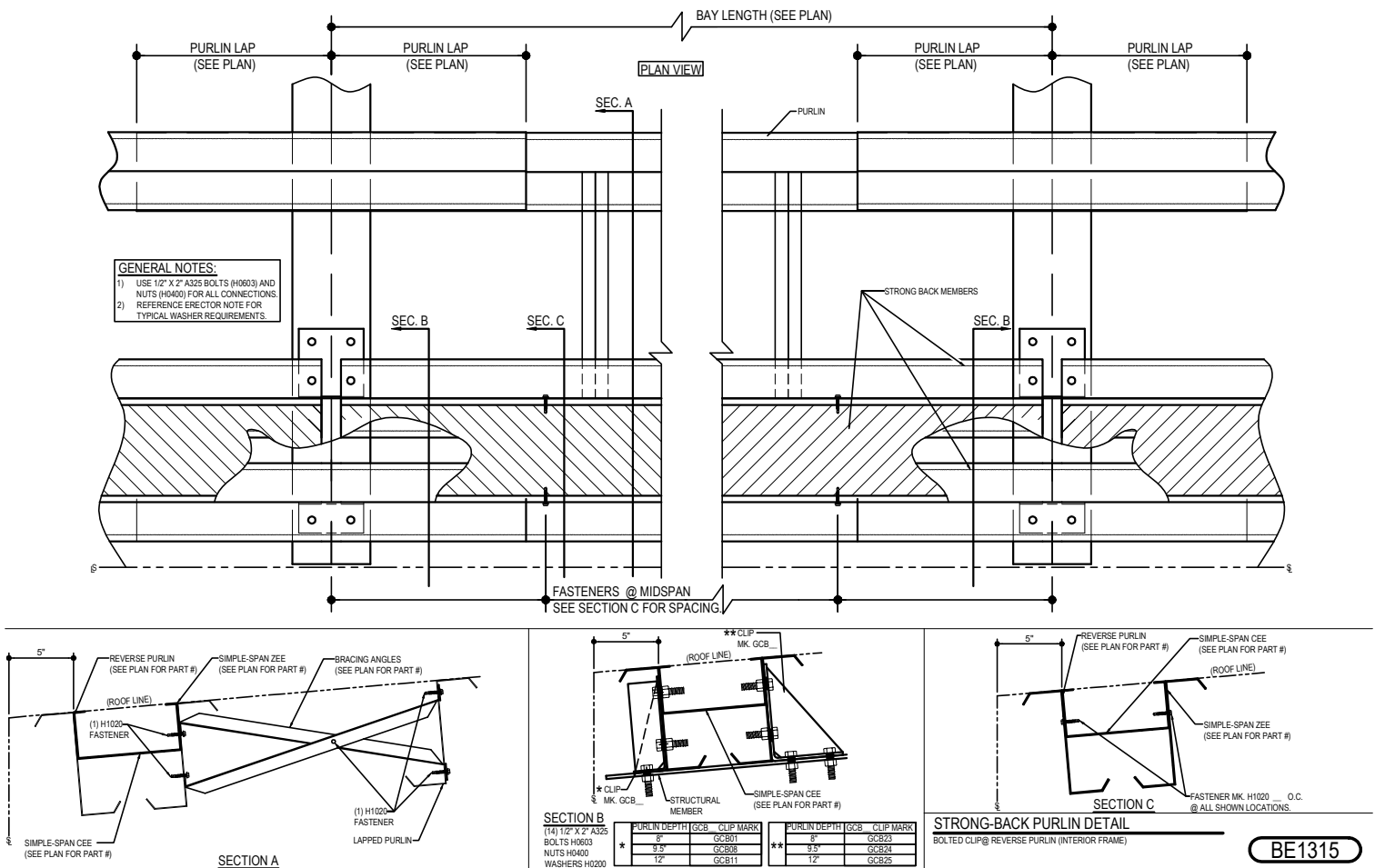


Detailer Notes:

- 1) DETAILER TO REVIEW ENGINEERING D2D SHEET. ENTER FASTENER SPACING & SELECT CORRECT CONDITION USING AVAILABLE LAYERS.
- 2) DETAIL IS DEVELOPED FOR LOW EAVE. STRONG BACK CAN BE USED @ THE INTERIOR AS WELL. MODIFY CONDITIONS AS NEEDED, IF DESIGN INDICATES A NEED FOR INTERIOR STRONGBACK.
- 3) SHOP WELDED PURLIN CLIP: 8" = PCU01 (STF: WS_04) 9.5" = GCB63 (STF: WS_04) 12" = GCB12 (STF: WS_12)

BE1315 - STRONG-BACK @ INTERIOR FRAME (BOLTED CLIPS @ REV. PURLIN)

[Download the DWG file by clicking here.](#)

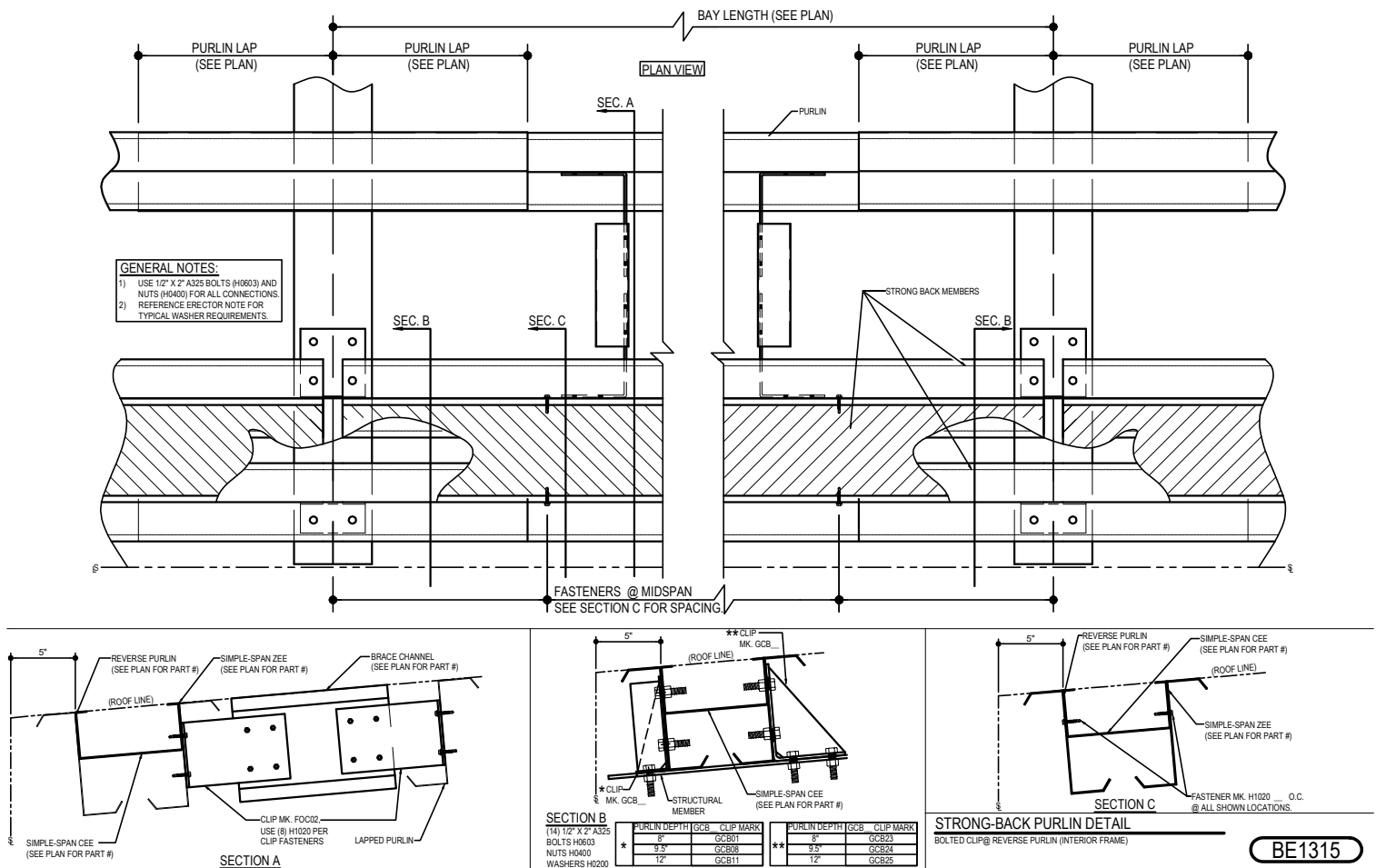


Detailer Notes:

- 1) DETAILER TO REVIEW ENGINEERING D2D SHEET. ENTER FASTENER SPACING & SELECT CORRECT CONDITION USING AVAILABLE LAYERS.
- 2) DETAIL IS DEVELOPED FOR LOW EAVE. STRONG BACK CAN BE USED @ THE INTERIOR AS WELL. MODIFY CONDITIONS AS NEEDED, IF DESIGN INDICATES A NEED FOR INTERIOR STRONGBACK.

BE1315 - STRONG-BACK @ INTERIOR FRAME (BOLTED CLIPS @ REV. PURLIN)

[Download the DWG file by clicking here.](#)

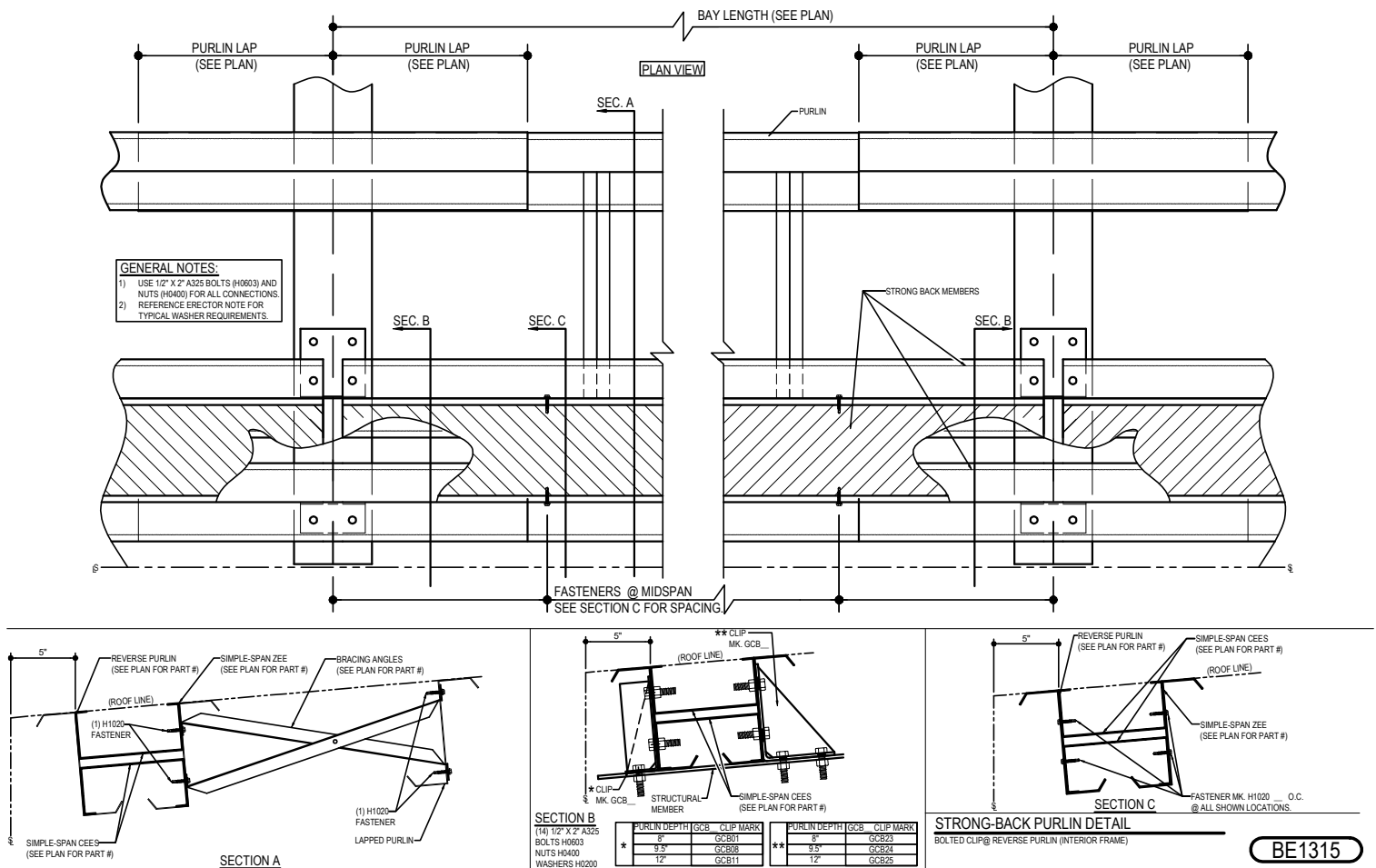


Detailer Notes:

- 1) DETAILER TO REVIEW ENGINEERING D2D SHEET. ENTER FASTENER SPACING & SELECT CORRECT CONDITION USING AVAILABLE LAYERS.
- 2) DETAIL IS DEVELOPED FOR LOW EAVE. STRONG BACK CAN BE USED @ THE INTERIOR AS WELL. MODIFY CONDITIONS AS NEEDED, IF DESIGN INDICATES A NEED FOR INTERIOR STRONGBACK.

BE1315 - STRONG-BACK @ INTERIOR FRAME (BOLTED CLIPS @ REV. PURLIN)

[Download the DWG file by clicking here.](#)

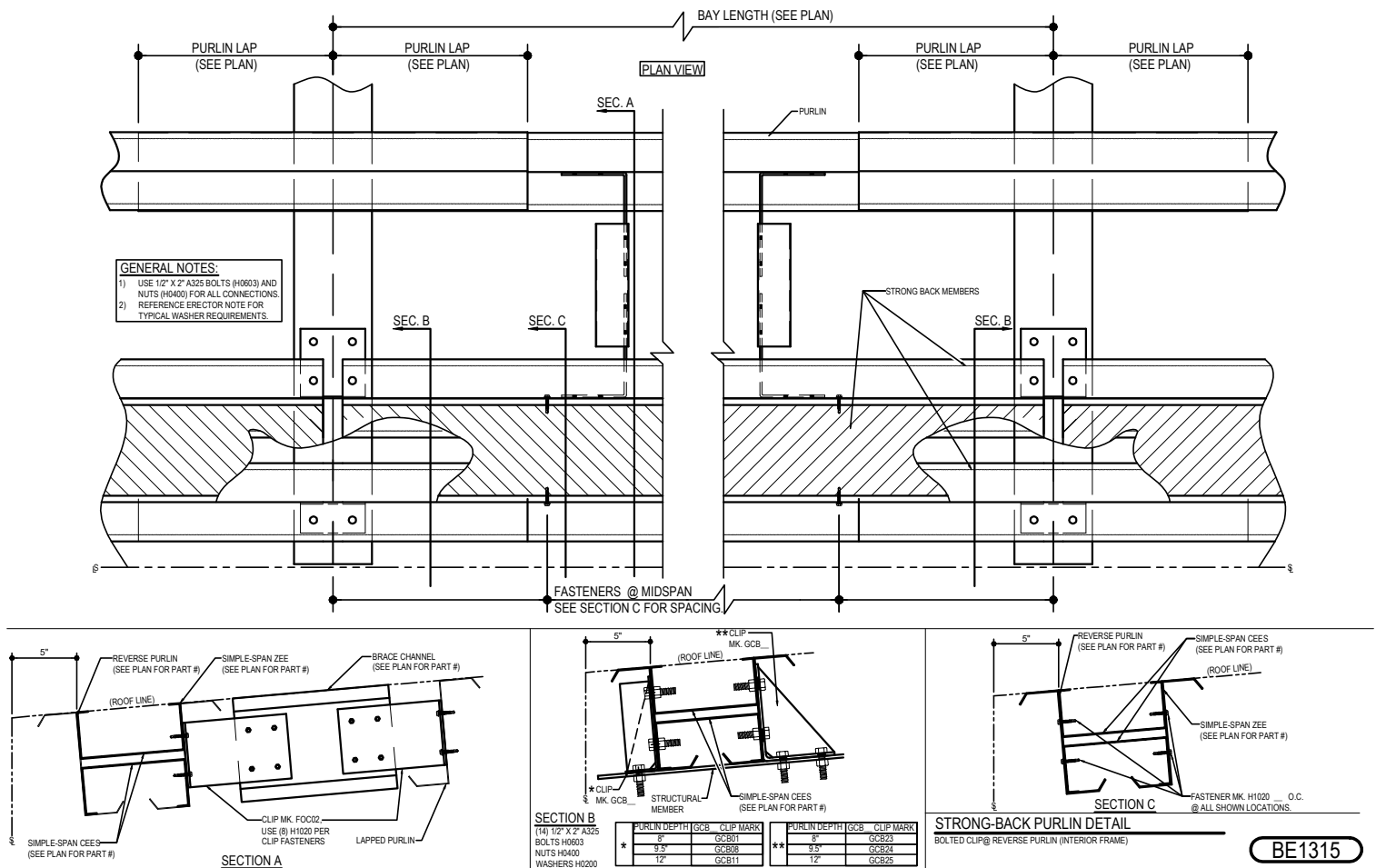


Detailer Notes:

- 1) DETAILER TO REVIEW ENGINEERING D2D SHEET. ENTER FASTENER SPACING & SELECT CORRECT CONDITION USING AVAILABLE LAYERS.
- 2) DETAIL IS DEVELOPED FOR LOW EAVE. STRONG BACK CAN BE USED @ THE INTERIOR AS WELL. MODIFY CONDITIONS AS NEEDED, IF DESIGN INDICATES A NEED FOR INTERIOR STRONGBACK.

BE1315 - STRONG-BACK @ INTERIOR FRAME (BOLTED CLIPS @ REV. PURLIN)

[Download the DWG file by clicking here.](#)

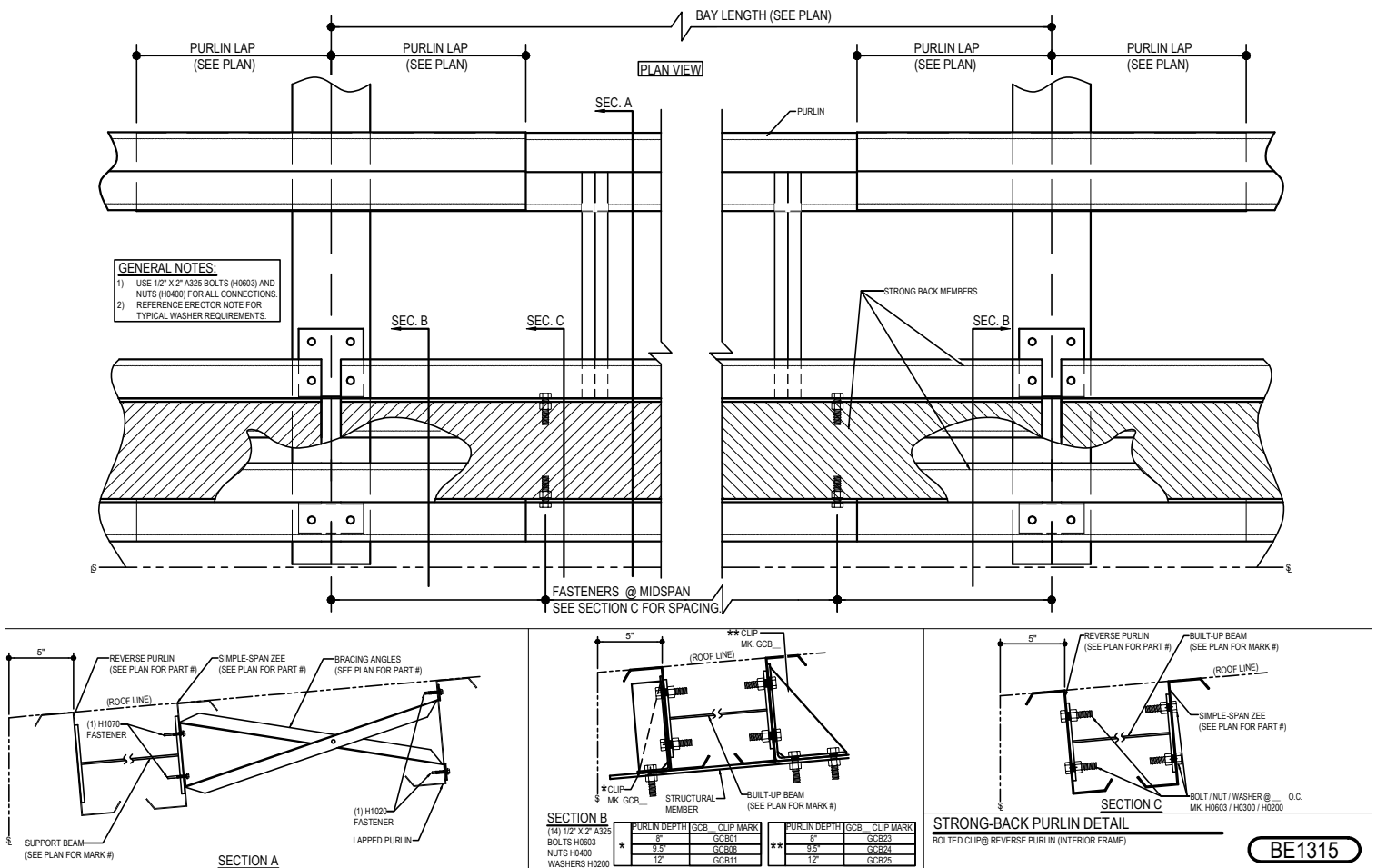


Detailer Notes:

- 1) DETAILER TO REVIEW ENGINEERING D2D SHEET. ENTER FASTENER SPACING & SELECT CORRECT CONDITION USING AVAILABLE LAYERS.
- 2) DETAIL IS DEVELOPED FOR LOW EAVE. STRONG BACK CAN BE USED @ THE INTERIOR AS WELL. MODIFY CONDITIONS AS NEEDED, IF DESIGN INDICATES A NEED FOR INTERIOR STRONGBACK.

BE1315 - STRONG-BACK @ INTERIOR FRAME (BOLTED CLIPS @ REV. PURLIN)

[Download the DWG file by clicking here.](#)

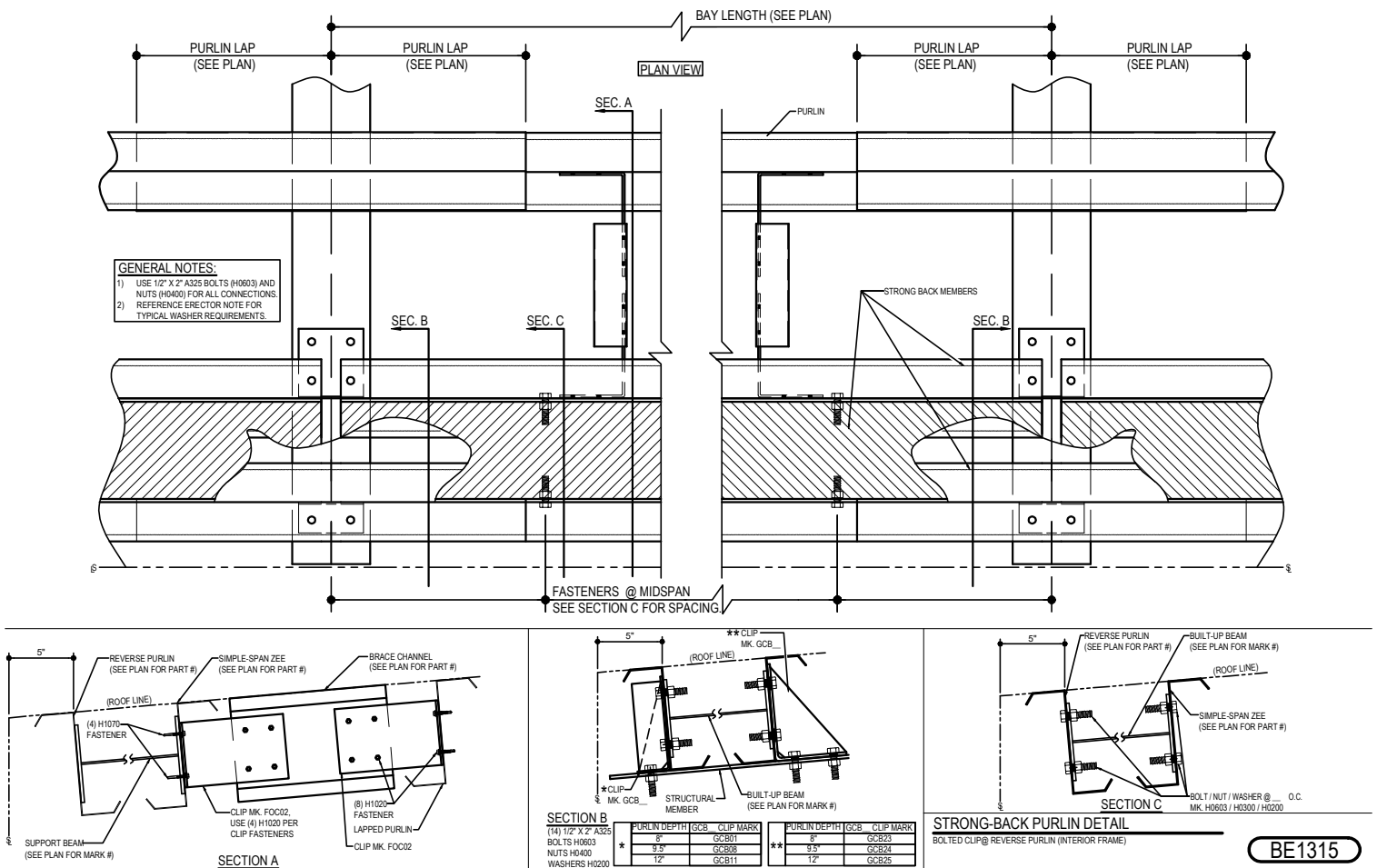


Detailer Notes:

- 1) DETAILER TO REVIEW ENGINEERING D2D SHEET. ENTER FASTENER SPACING & SELECT CORRECT CONDITION USING AVAILABLE LAYERS.
- 2) DETAIL IS DEVELOPED FOR LOW EAVE. STRONG BACK CAN BE USED @ THE INTERIOR AS WELL. MODIFY CONDITIONS AS NEEDED, IF DESIGN INDICATES A NEED FOR INTERIOR STRONGBACK.

BE1315 - STRONG-BACK @ INTERIOR FRAME (BOLTED CLIPS @ REV. PURLIN)

[Download the DWG file by clicking here.](#)

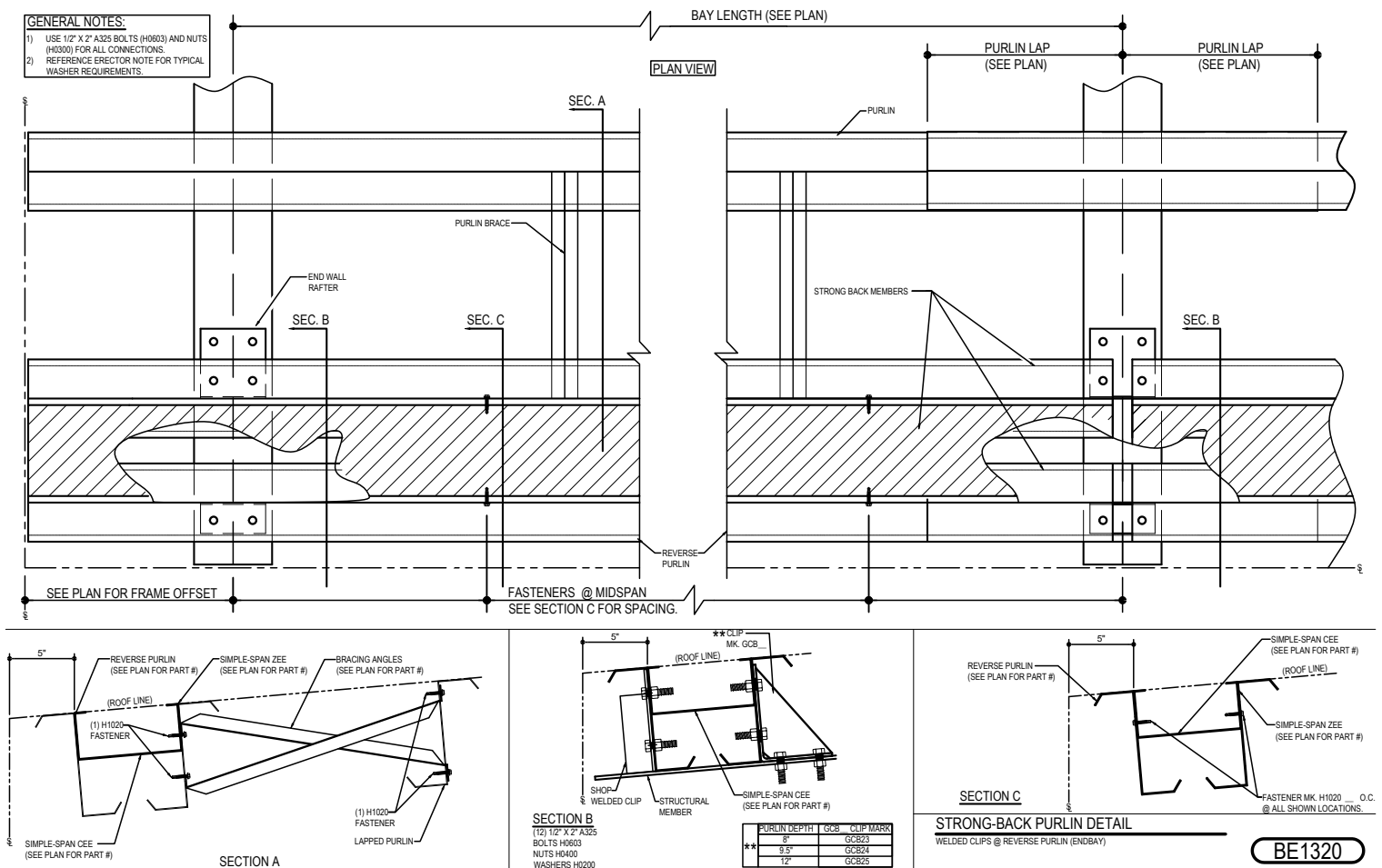


Detailer Notes:

- 1) DETAILER TO REVIEW ENGINEERING D2D SHEET. ENTER FASTENER SPACING & SELECT CORRECT CONDITION USING AVAILABLE LAYERS.
- 2) DETAIL IS DEVELOPED FOR LOW EAVE. STRONG BACK CAN BE USED @ THE INTERIOR AS WELL. MODIFY CONDITIONS AS NEEDED, IF DESIGN INDICATES A NEED FOR INTERIOR STRONGBACK.

BE1320 - STRONG-BACK @ ENDBAY (WELDED CLIPS @ REV. PURLIN)

[Download the DWG file by clicking here.](#)

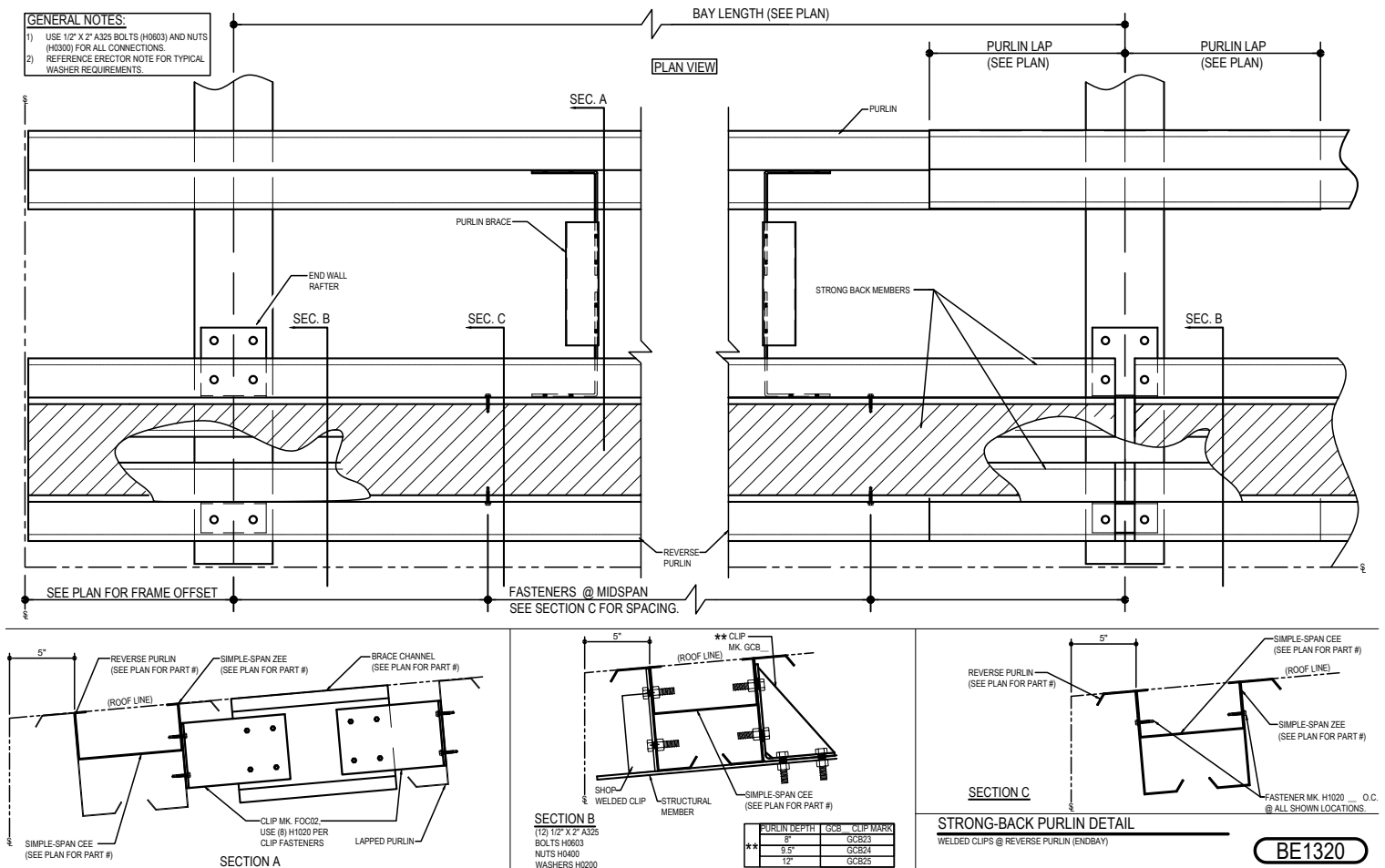


Detailer Notes:

- 1) DETAILER TO REVIEW ENGINEERING D2D SHEET. ENTER FASTENER SPACING & SELECT CORRECT CONDITION USING AVAILABLE LAYERS.
- 2) DETAIL IS DEVELOPED FOR LOW EAVE. STRONG BACK CAN BE USED @ THE INTERIOR AS WELL. MODIFY CONDITIONS AS NEEDED, IF DESIGN INDICATES A NEED FOR INTERIOR STRONGBACK.
- 3) SHOP WELDED PURLIN CLIP: 8" = PCU01 (STF: WS_04) 9.5" = GCB63 (STF: WS_04) 12" = GCB12 (STF: WS_12)

BE1320 - STRONG-BACK @ ENDBAY (WELDED CLIPS @ REV. PURLIN)

[Download the DWG file by clicking here.](#)

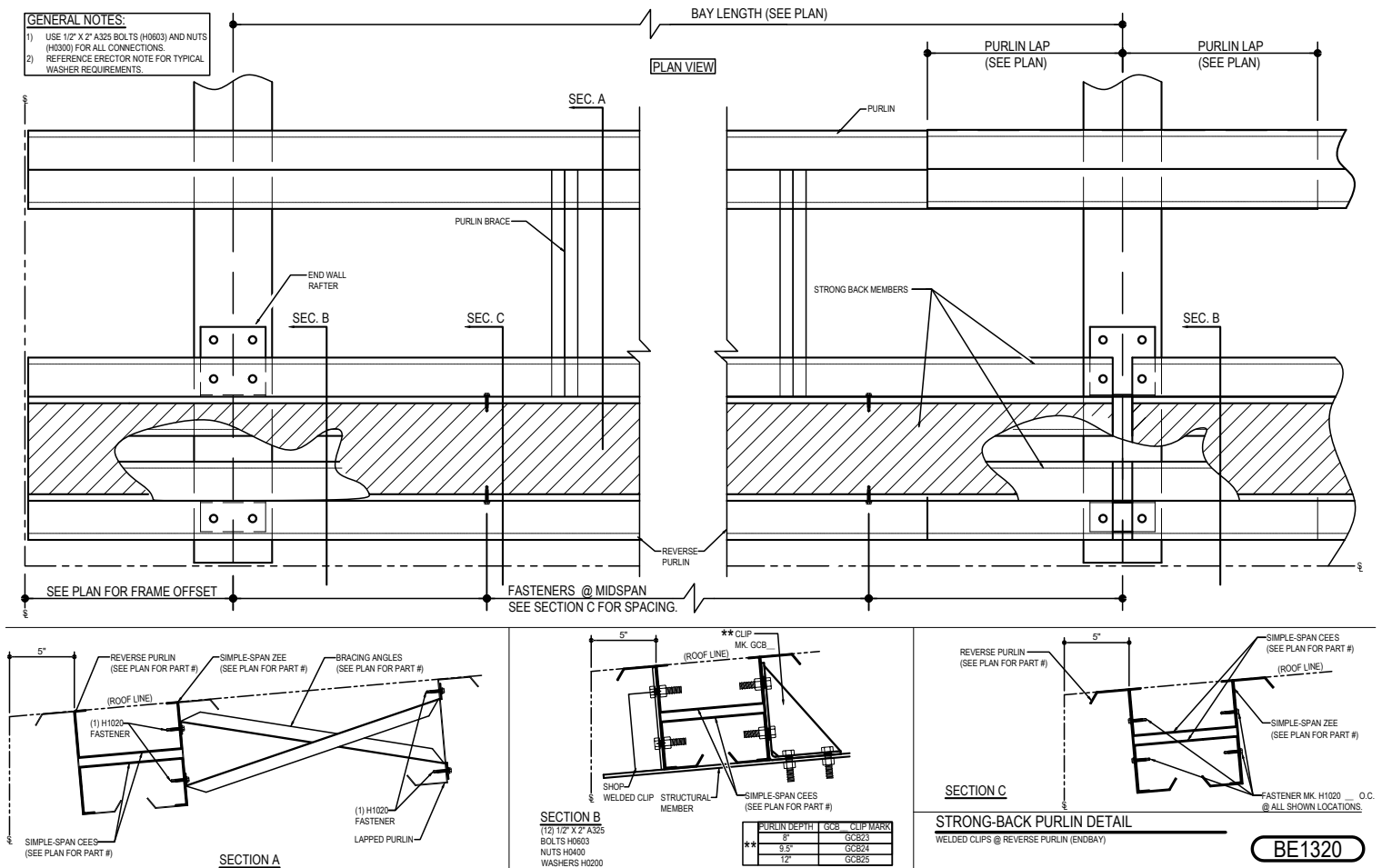


Detailer Notes:

- 1) DETAILER TO REVIEW ENGINEERING D2D SHEET. ENTER FASTENER SPACING & SELECT CORRECT CONDITION USING AVAILABLE LAYERS.
- 2) DETAIL IS DEVELOPED FOR LOW EAVE. STRONG BACK CAN BE USED @ THE INTERIOR AS WELL. MODIFY CONDITIONS AS NEEDED, IF DESIGN INDICATES A NEED FOR INTERIOR STRONGBACK.
- 3) SHOP WELDED PURLIN CLIP: 8" = PCU01 (STF: WS_04) 9.5" = GCB63 (STF: WS_04) 12" = GCB12 (STF: WS_12)

BE1320 - STRONG-BACK @ ENDBAY (WELDED CLIPS @ REV. PURLIN)

[Download the DWG file by clicking here.](#)

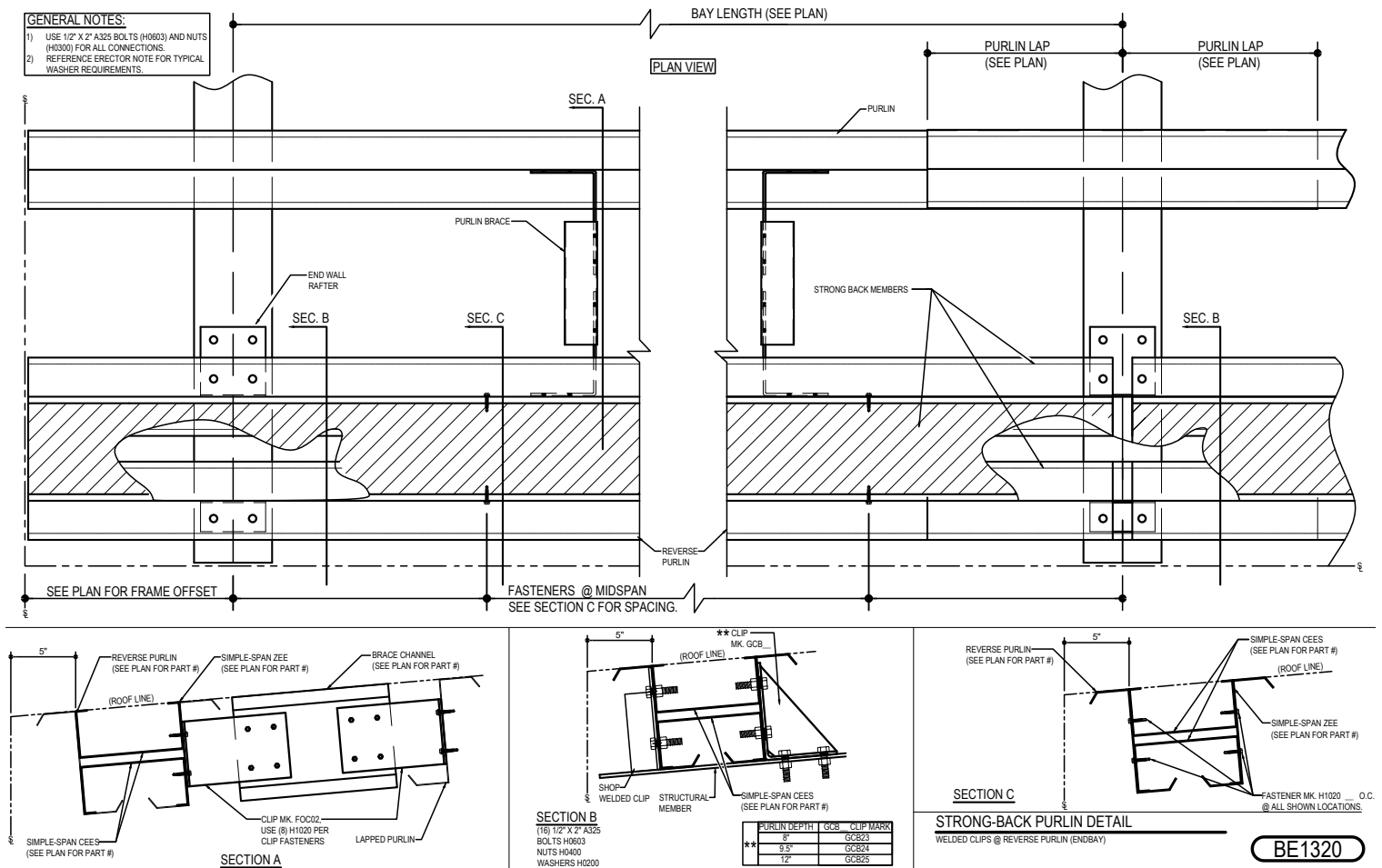


Detailer Notes:

- 1) DETAILER TO REVIEW ENGINEERING D2D SHEET. ENTER FASTENER SPACING & SELECT CORRECT CONDITION USING AVAILABLE LAYERS.
- 2) DETAIL IS DEVELOPED FOR LOW EAVE. STRONG BACK CAN BE USED @ THE INTERIOR AS WELL. MODIFY CONDITIONS AS NEEDED, IF DESIGN INDICATES A NEED FOR INTERIOR STRONGBACK.
- 3) SHOP WELDED PURLIN CLIP: 8" = PCU01 (STF: WS_04) 9.5" = GCB63 (STF: WS_04) 12" = GCB12 (STF: WS_12)

BE1320 - STRONG-BACK @ ENDBAY (WELDED CLIPS @ REV. PURLIN)

[Download the DWG file by clicking here.](#)

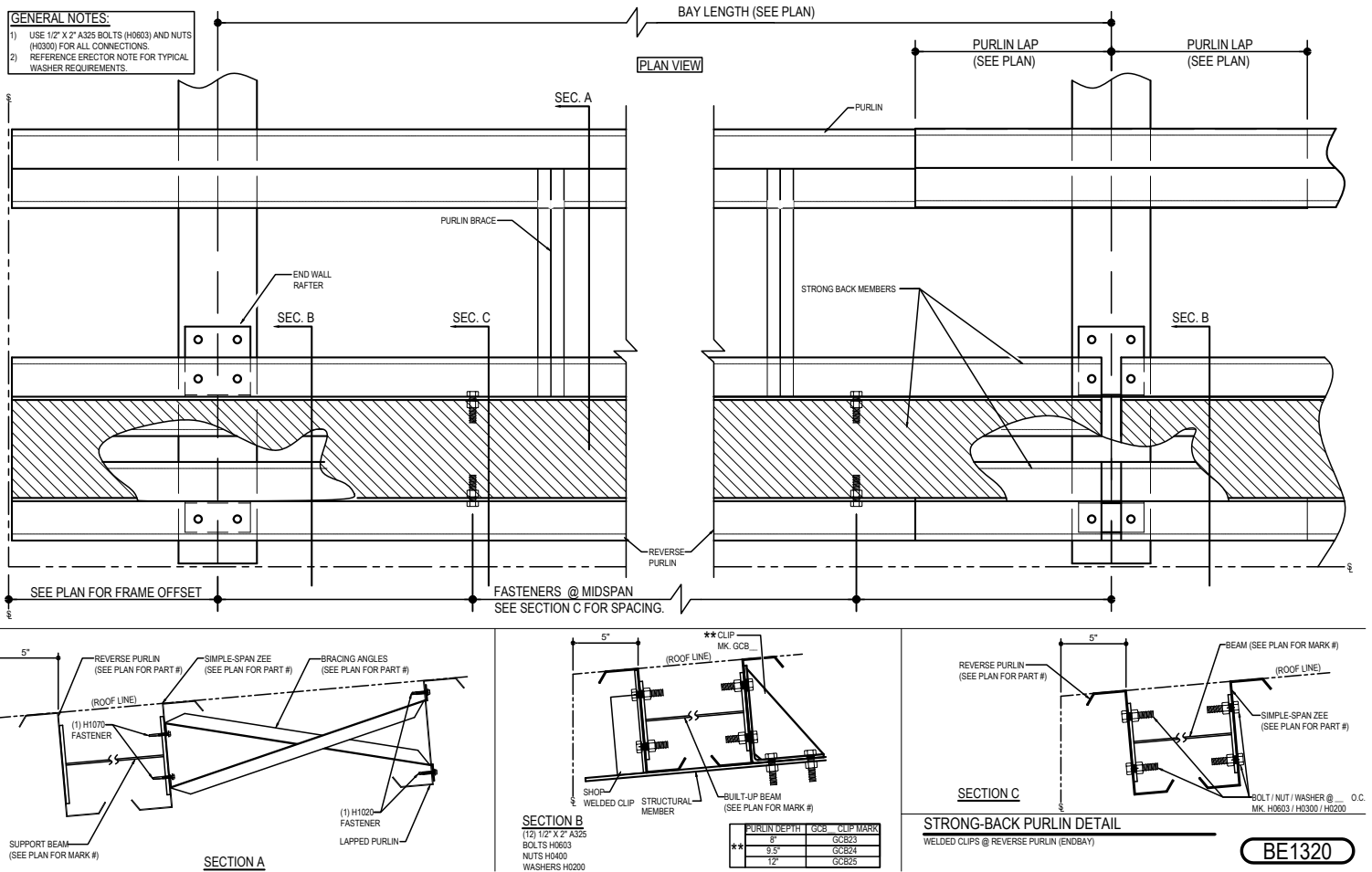


Detailer Notes:

- 1) DETAILER TO REVIEW ENGINEERING D2D SHEET. ENTER FASTENER SPACING & SELECT CORRECT CONDITION USING AVAILABLE LAYERS.
- 2) DETAIL IS DEVELOPED FOR LOW EAVE. STRONG BACK CAN BE USED @ THE INTERIOR AS WELL. MODIFY CONDITIONS AS NEEDED, IF DESIGN INDICATES A NEED FOR INTERIOR STRONGBACK.
- 3) SHOP WELDED PURLIN CLIP: 8" = PCU01 (STF: WS_04) 9.5" = GCB63 (STF: WS_04) 12" = GCB12 (STF: WS_12)

BE1320 - STRONG-BACK @ ENDBAY (WELDED CLIPS @ REV. PURLIN)

[Download the DWG file by clicking here.](#)

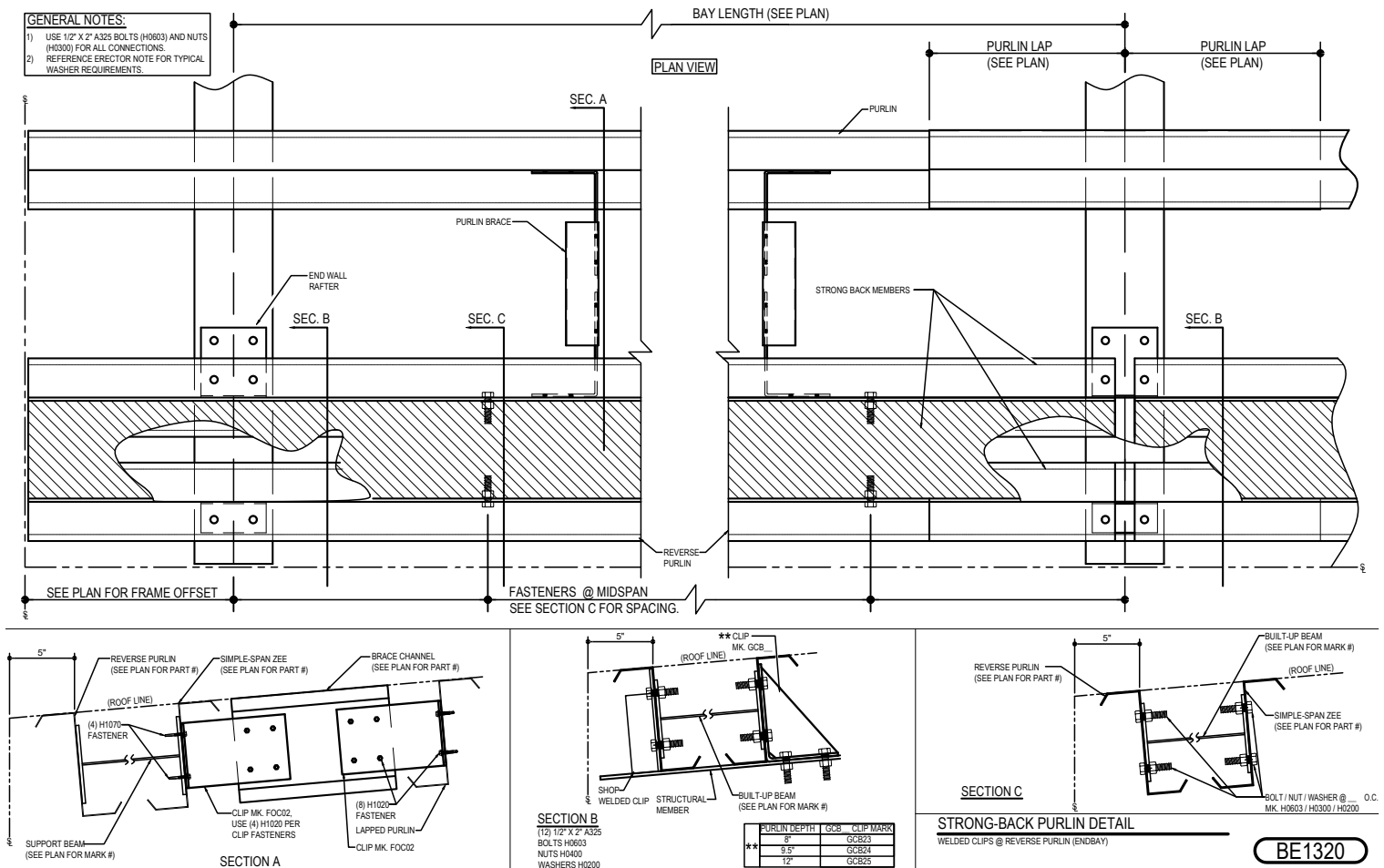


Detailer Notes:

- 1) DETAILER TO REVIEW ENGINEERING D2D SHEET. ENTER FASTENER SPACING & SELECT CORRECT CONDITION USING AVAILABLE LAYERS.
- 2) DETAIL IS DEVELOPED FOR LOW EAVE. STRONG BACK CAN BE USED @ THE INTERIOR AS WELL. MODIFY CONDITIONS AS NEEDED, IF DESIGN INDICATES A NEED FOR INTERIOR STRONGBACK.
- 3) SHOP WELDED PURLIN CLIP: 8" = PCU01 (STF: WS_04) 9.5" = GCB63 (STF: WS_04) 12" = GCB12 (STF: WS_12)

BE1320 - STRONG-BACK @ ENDBAY (WELDED CLIPS @ REV. PURLIN)

[Download the DWG file by clicking here.](#)

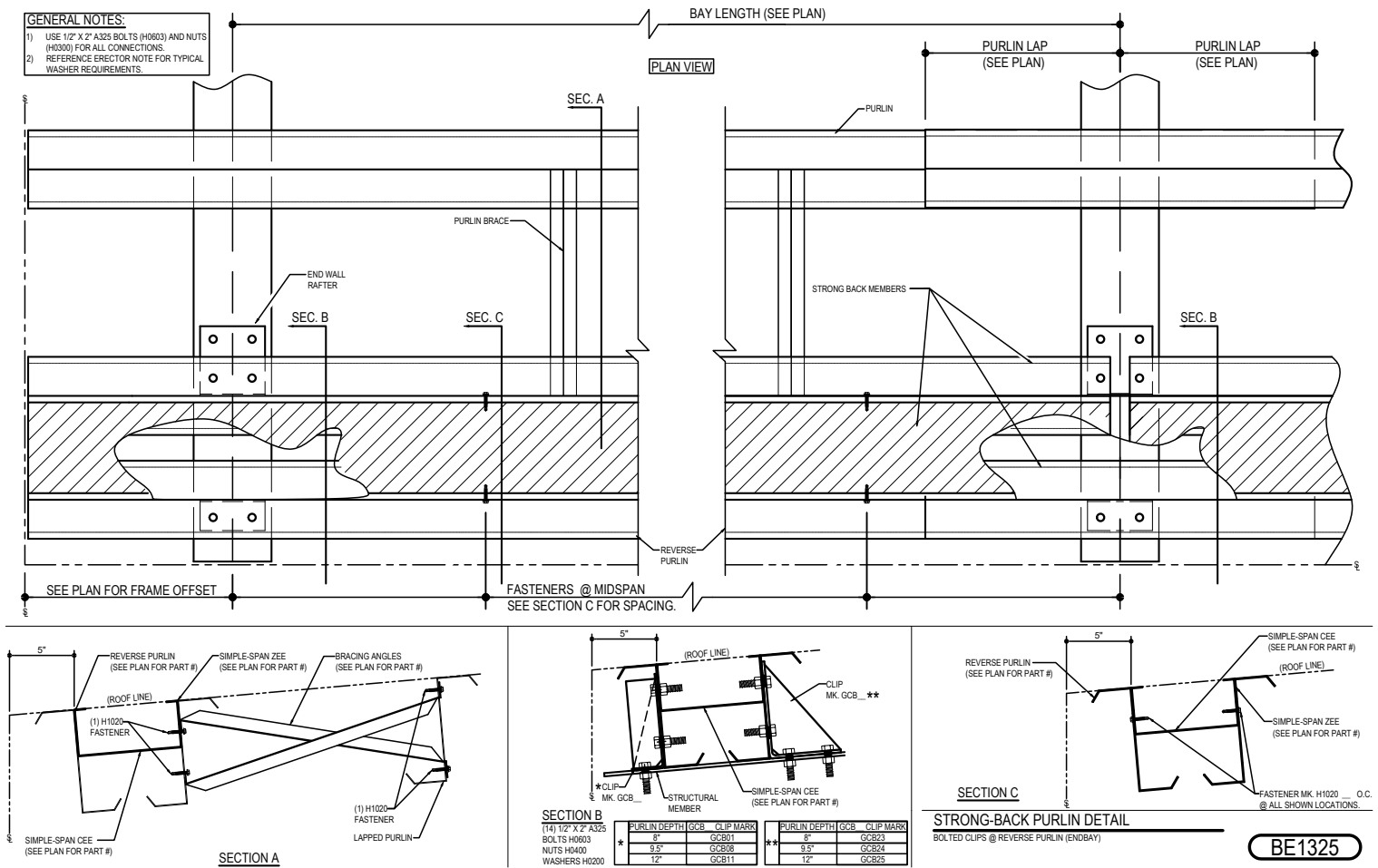


Detailer Notes:

- 1) DETAILER TO REVIEW ENGINEERING D2D SHEET. ENTER FASTENER SPACING & SELECT CORRECT CONDITION USING AVAILABLE LAYERS.
- 2) DETAIL IS DEVELOPED FOR LOW EAVE. STRONG BACK CAN BE USED @ THE INTERIOR AS WELL. MODIFY CONDITIONS AS NEEDED, IF DESIGN INDICATES A NEED FOR INTERIOR STRONGBACK.
- 3) SHOP WELDED PURLIN CLIP: 8" = PCU01 (STF: WS_04) 9.5" = GCB63 (STF: WS_04) 12" = GCB12 (STF: WS_12)

BE1325 - STRONG-BACK @ ENDBAY (BOLTED CLIPS @ REV. PURLIN)

[Download the DWG file by clicking here.](#)

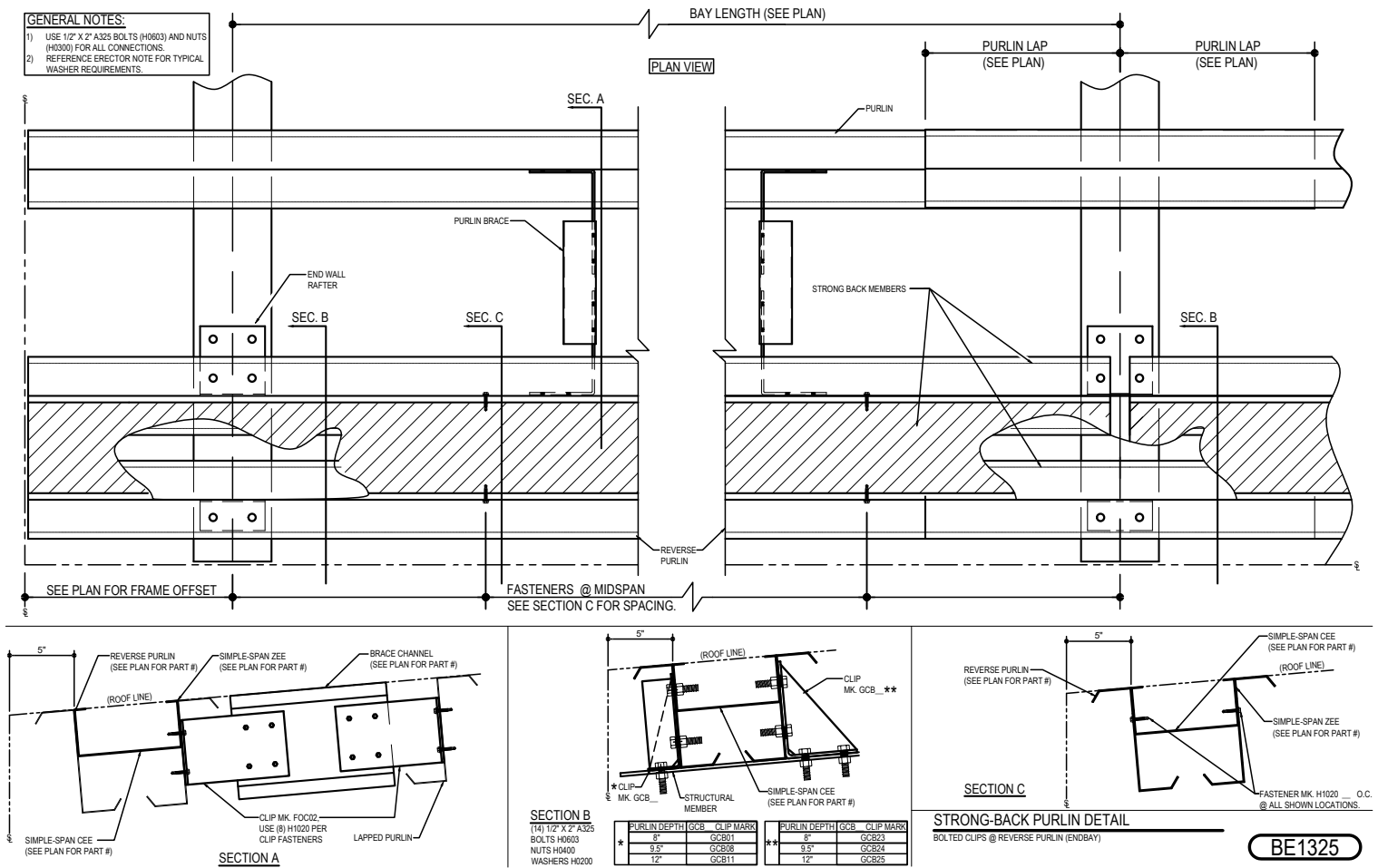


Detailer Notes:

- 1) DETAILER TO REVIEW ENGINEERING D2D SHEET. ENTER FASTENER SPACING & SELECT CORRECT CONDITION USING AVAILABLE LAYERS.
- 2) DETAIL IS DEVELOPED FOR LOW EAVE. STRONG BACK CAN BE USED @ THE INTERIOR AS WELL. MODIFY CONDITIONS AS NEEDED, IF DESIGN INDICATES A NEED FOR INTERIOR STRONGBACK.

BE1325 - STRONG-BACK @ ENDBAY (BOLTED CLIPS @ REV. PURLIN)

[Download the DWG file by clicking here.](#)

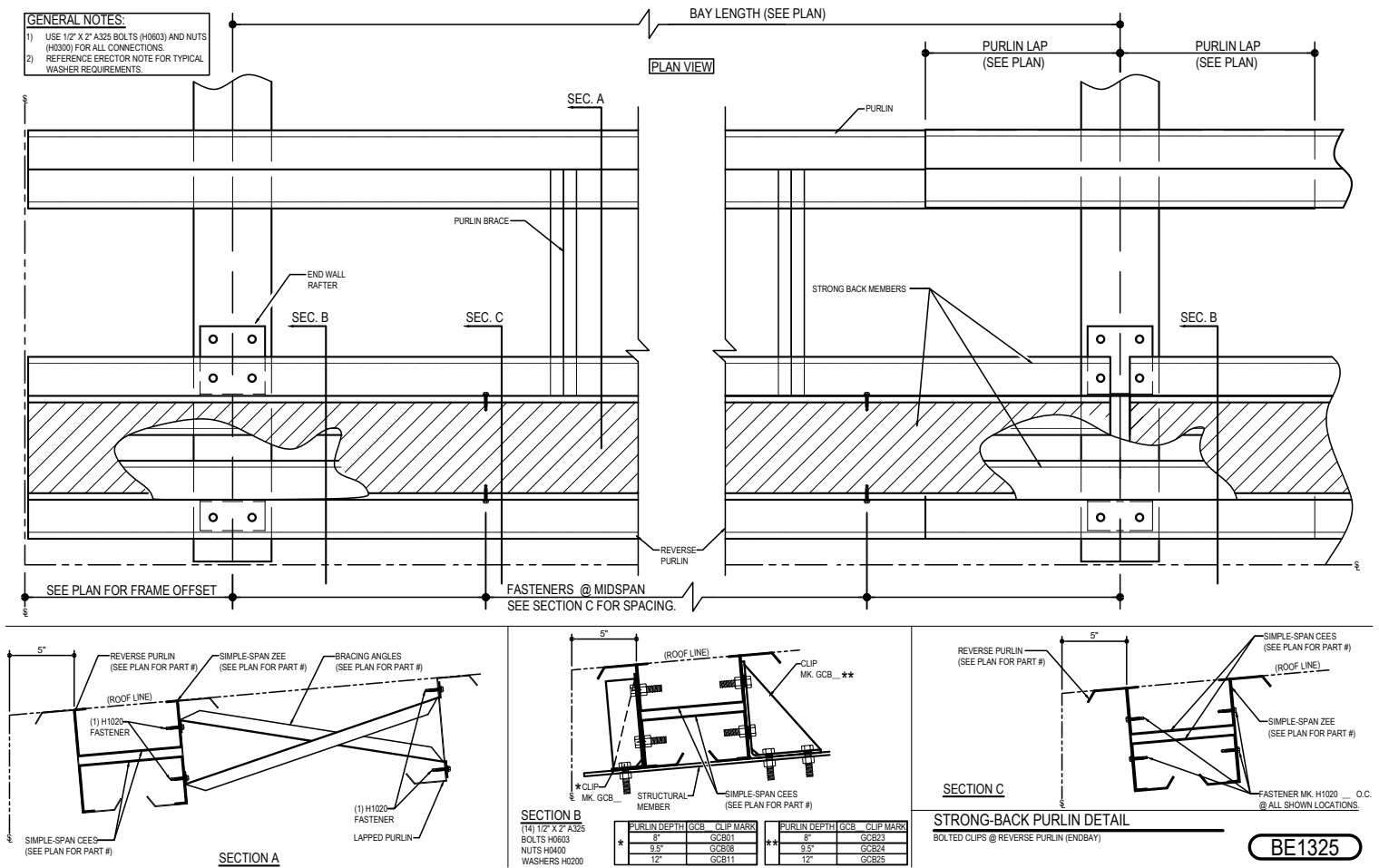


Detailer Notes:

- 1) DETAILER TO REVIEW ENGINEERING D2D SHEET. ENTER FASTENER SPACING & SELECT CORRECT CONDITION USING AVAILABLE LAYERS.
- 2) DETAIL IS DEVELOPED FOR LOW EAVE. STRONG BACK CAN BE USED @ THE INTERIOR AS WELL. MODIFY CONDITIONS AS NEEDED, IF DESIGN INDICATES A NEED FOR INTERIOR STRONGBACK.

BE1325 - STRONG-BACK @ ENDBAY (BOLTED CLIPS @ REV. PURLIN)

[Download the DWG file by clicking here.](#)

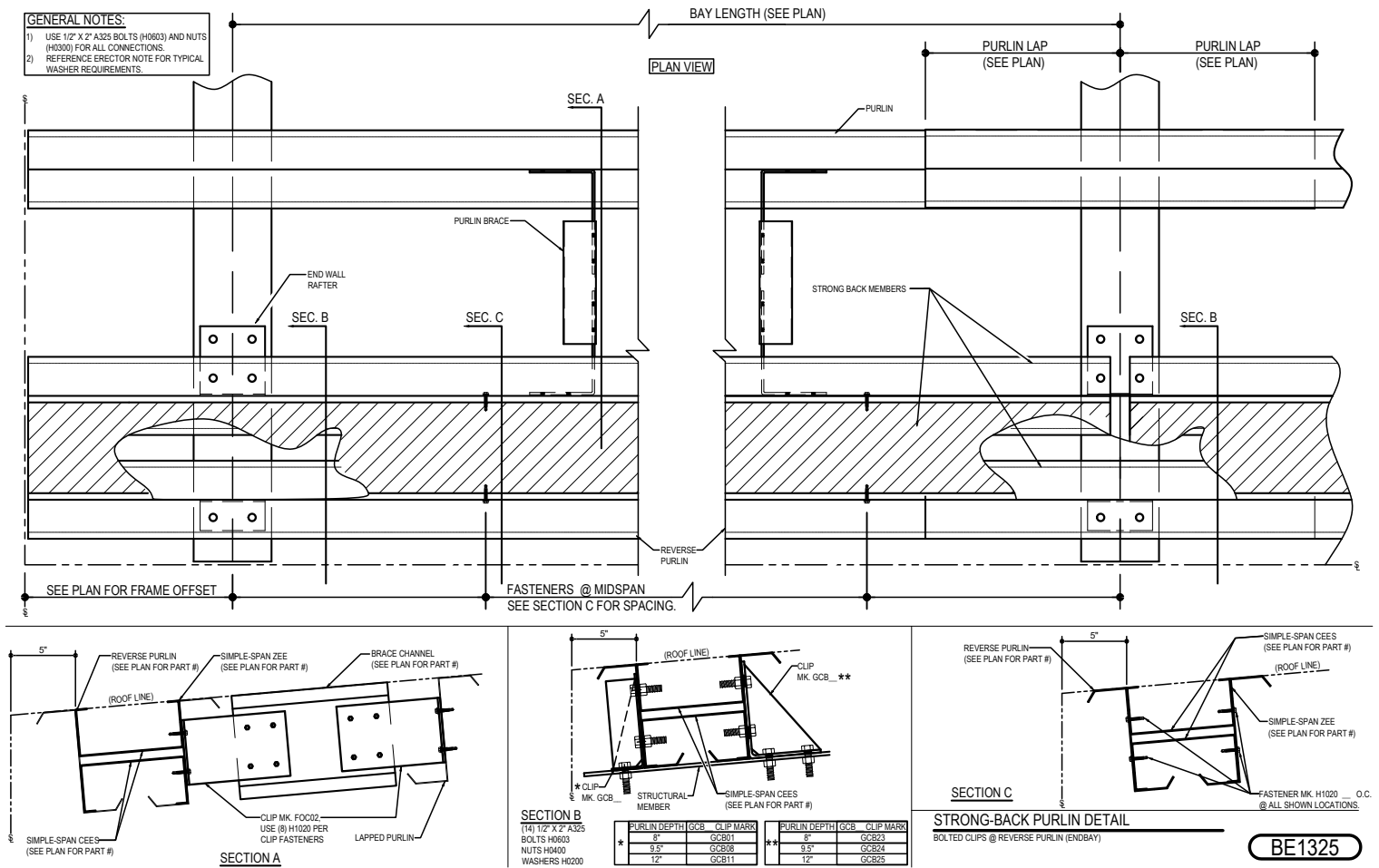


Detailer Notes:

- 1) DETAILER TO REVIEW ENGINEERING D2D SHEET. ENTER FASTENER SPACING & SELECT CORRECT CONDITION USING AVAILABLE LAYERS.
- 2) DETAIL IS DEVELOPED FOR LOW EAVE. STRONG BACK CAN BE USED @ THE INTERIOR AS WELL. MODIFY CONDITIONS AS NEEDED, IF DESIGN INDICATES A NEED FOR INTERIOR STRONGBACK.

BE1325 - STRONG-BACK @ ENDBAY (BOLTED CLIPS @ REV. PURLIN)

[Download the DWG file by clicking here.](#)

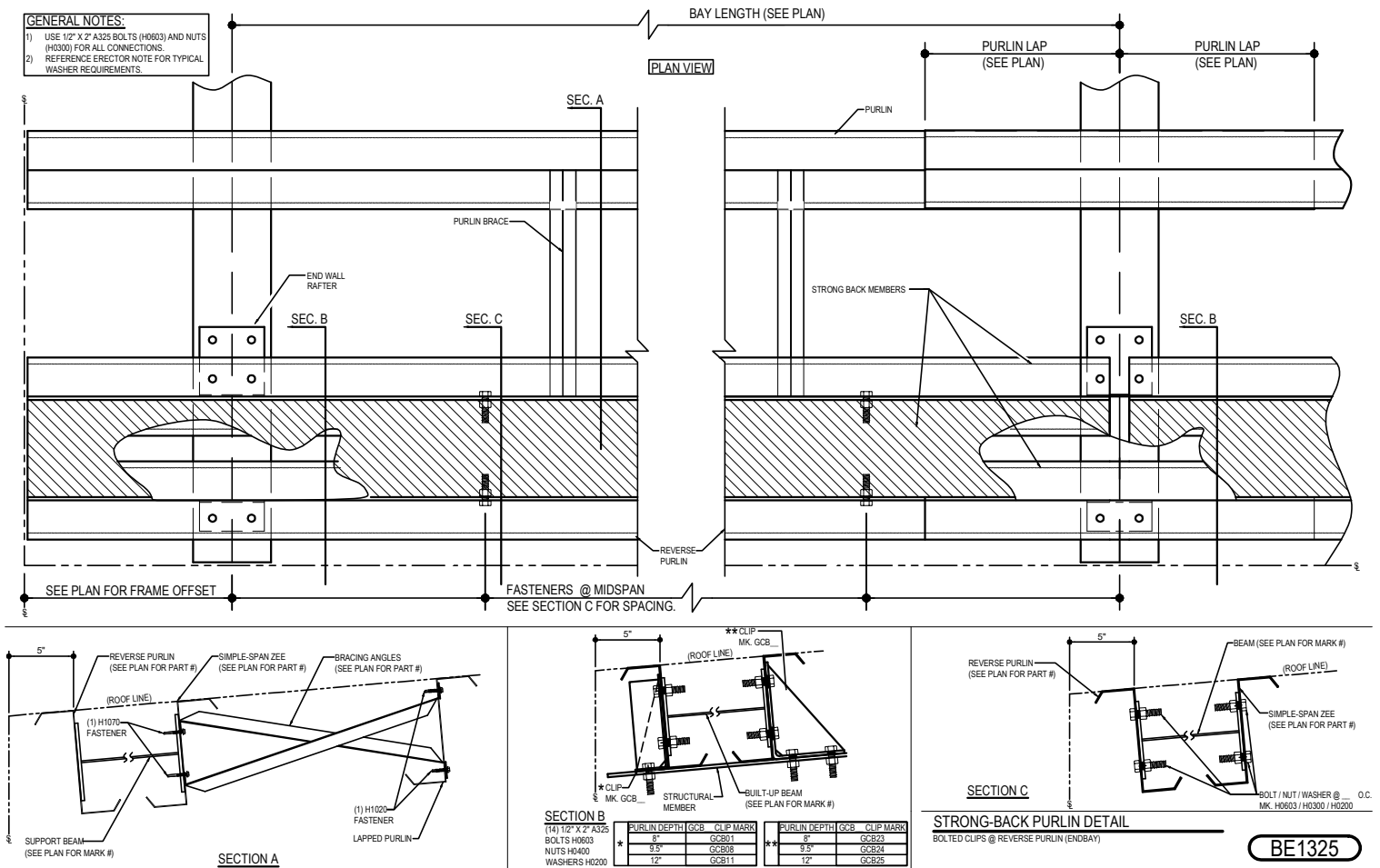


Detailer Notes:

- 1) DETAILER TO REVIEW ENGINEERING D2D SHEET. ENTER FASTENER SPACING & SELECT CORRECT CONDITION USING AVAILABLE LAYERS.
- 2) DETAIL IS DEVELOPED FOR LOW EAVE. STRONG BACK CAN BE USED @ THE INTERIOR AS WELL. MODIFY CONDITIONS AS NEEDED, IF DESIGN INDICATES A NEED FOR INTERIOR STRONGBACK.

BE1325 - STRONG-BACK @ ENDBAY (BOLTED CLIPS @ REV. PURLIN)

[Download the DWG file by clicking here.](#)

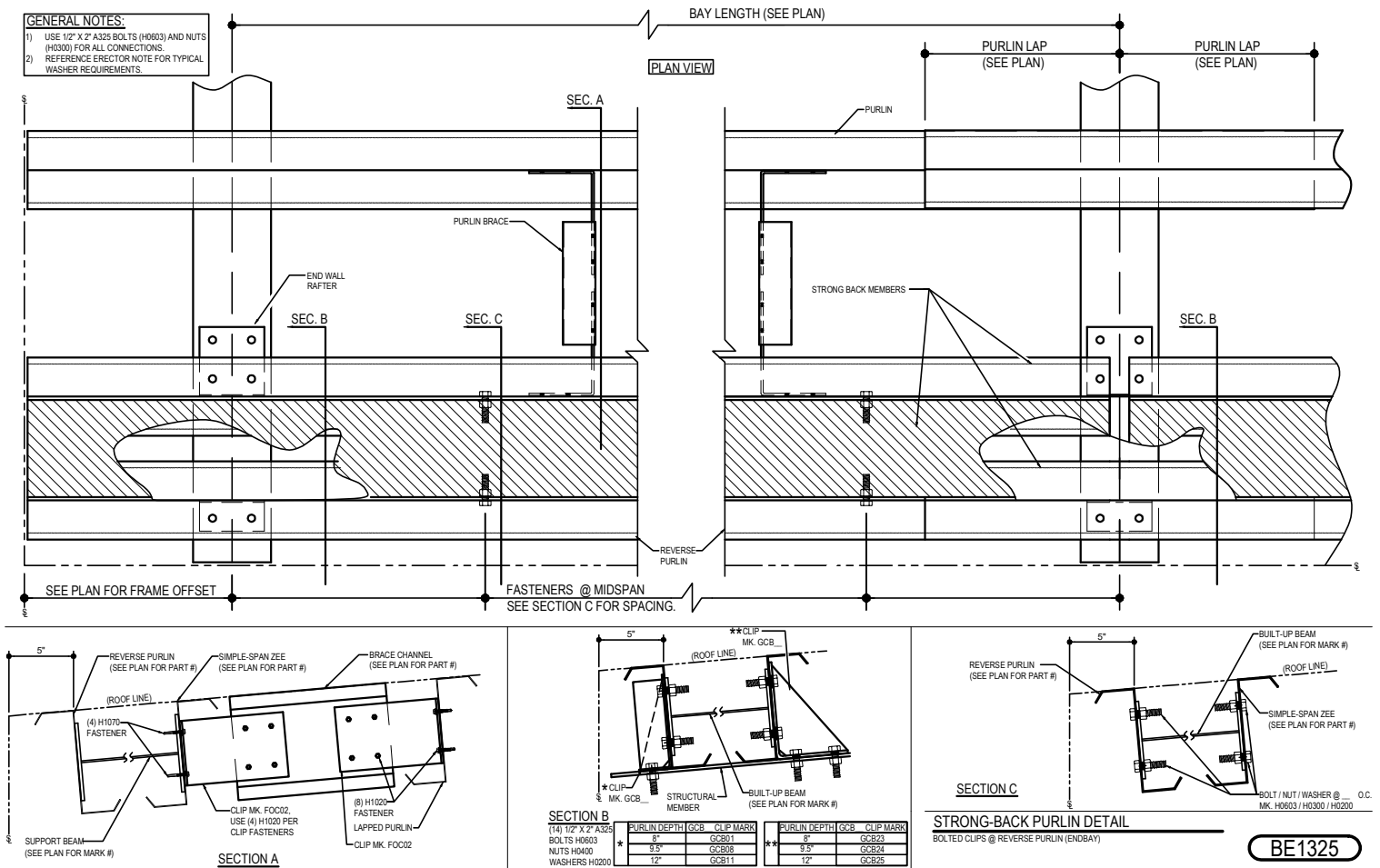


Detailer Notes:

- 1) DETAILER TO REVIEW ENGINEERING D2D SHEET. ENTER FASTENER SPACING & SELECT CORRECT CONDITION USING AVAILABLE LAYERS.
- 2) DETAIL IS DEVELOPED FOR LOW EAVE. STRONG BACK CAN BE USED @ THE INTERIOR AS WELL. MODIFY CONDITIONS AS NEEDED, IF DESIGN INDICATES A NEED FOR INTERIOR STRONGBACK.

BE1325 - STRONG-BACK @ ENDBAY (BOLTED CLIPS @ REV. PURLIN)

[Download the DWG file by clicking here.](#)



Detailer Notes:

- 1) DETAILER TO REVIEW ENGINEERING D2D SHEET. ENTER FASTENER SPACING & SELECT CORRECT CONDITION USING AVAILABLE LAYERS.
- 2) DETAIL IS DEVELOPED FOR LOW EAVE. STRONG BACK CAN BE USED @ THE INTERIOR AS WELL. MODIFY CONDITIONS AS NEEDED, IF DESIGN INDICATES A NEED FOR INTERIOR STRONGBACK.